

TECHNOLOGY TO THE POINT



NINGBO ZHAFIR PLASTICS MACHINERY MANUFACTURING CO., LTD.  
No. 98 Guanhai Road, Chunxiao, Beilun, Ningbo, China 315800

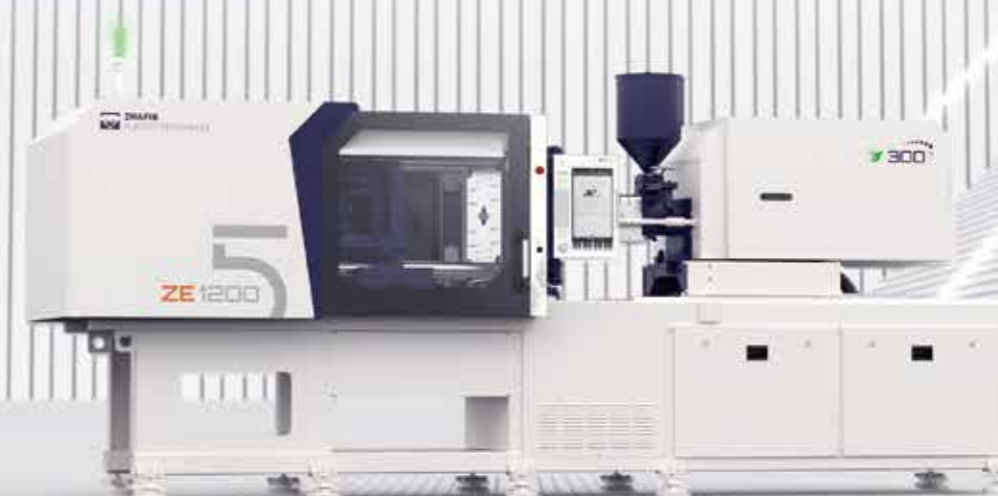
Tel. +86-574-86182986  
Fax. +86-574-86182977  
E-Mail: [contact@mail.zhafir.cn](mailto:contact@mail.zhafir.cn)  
[www.zhafir.cn](http://www.zhafir.cn)



# ZERES SERIES

## TECHNICAL SPECIFICATION

### 400 – 4,500 kN



# TECHNICAL DATA ZE400 V

CLAMPING UNIT						
Clamping force	kN	400				
Mold opening stroke	mm	235				
Mold height min.	mm	150				
Mold height max.	mm	320				
Total daylight max.	mm	555				
Dist. Between tie-bars (H×V)	mm	320×320				
Size of mold platen (H×V)	mm	440×440				
Mold dimension min.	mm	205×205				
Ejector stroke	mm	60				
Ejector force	kN	17.2				
INJECTION UNIT		A	B	A	B	C
Screw diameter	mm	16	19	19	22	26
Screw L/D ratio	L/D	21	20	21	22	18
Injection volume (theoretical) <sup>1</sup>	cm <sup>3</sup>	12	17	21	36	50
Injection weight (PS) <sup>2</sup>	g	10.9	15.4	19.1	32.8	45.5
Injection pressure <sup>3</sup>	MPa	280	260	260	220	157
	bar	2800	2600	2600	2200	1570
Holding pressure <sup>3</sup>	MPa	234	198	208	175	125
	bar	2340	1980	2080	1750	1250
Screw speed	rpm	400		400		
Plasticizing rate (GPPS) <sup>4</sup>	g/s	2.5	3.6	3.8	6	8
Plasticizing rate (HDPE) <sup>5</sup>	g/s	-	-	-	-	-
Nozzle contact force	kN	26		26		
<b>INJECTION UNIT</b>		<b>50</b>		<b>80</b>		
Injection speed	mm/s	200		200		
Injection rate (PS)	g/s	35	49	49	66	92
<b>INJECTION UNIT</b>		<b>50h</b>		<b>80h</b>		
Injection speed	mm/s	350		350		
Injection rate (PS)	g/s	61	86	86	116	162
<b>INJECTION UNIT</b>		<b>50hs</b>		<b>80hs</b>		
Injection speed	mm/s	500		500		
Injection rate (PS)	g/s	87	123	123	166	231
Connection power	kW/A	50:11/18		80:11/19		
		50h:11/18		80h:13/22		
		50hs:16/27		80hs:16/28		
Heating power	kW	4.3	4.6	4.5	5.7	5.7
Machine dimension	m	3.67×1.14×1.85		3.67×1.14×1.85		
Machine weight	t	2.62		2.63		
Hopper capacity	l	15		15		
Pressure	MPa	17.5		17.5		
Flow	l/min	24		24		
Oil tank	l	31		31		

NOTE: <sup>1</sup> Shot volume is the theoretical value which equals to cross section area of screw cylinder or barrel plunger × screw stroke.

<sup>2</sup> Shot weight (PS) is the theoretical value of shot volume melt density of PS. It is not a measured value.

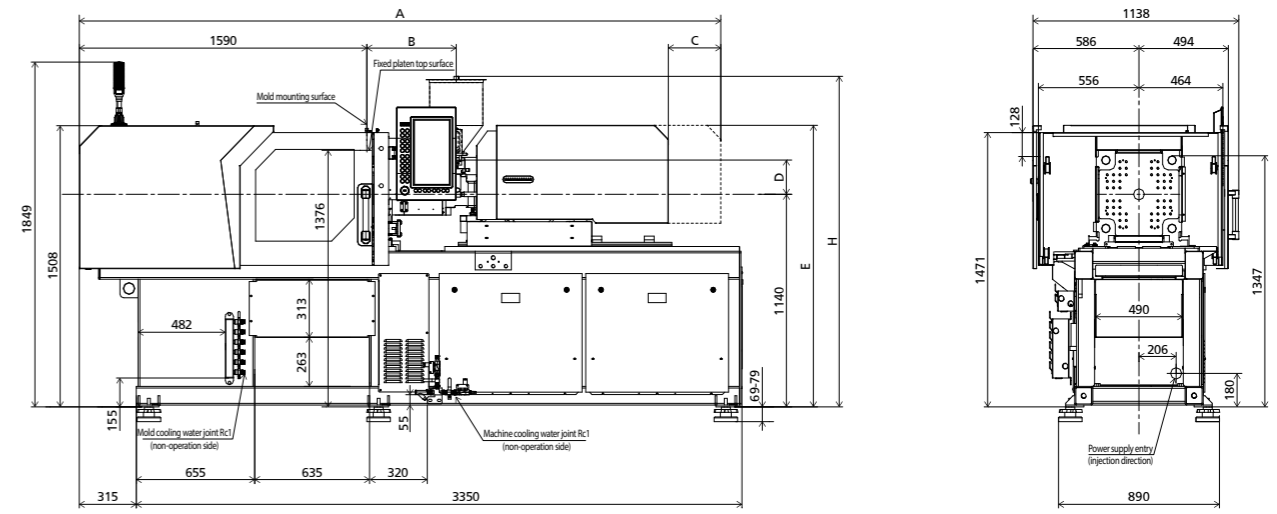
<sup>3</sup> Injection & holding pressure are theoretical values of machine output, not the actual resin pressure.

<sup>4</sup> Plasticizing capacity(GPPS):GB standard,with application of GPPS plasticizing capacity of 3-zone screws.

<sup>5</sup> Plasticizing capacity(HDPE):Euromap 19,with application of HDPE plasticizing capacity of barrier screws.

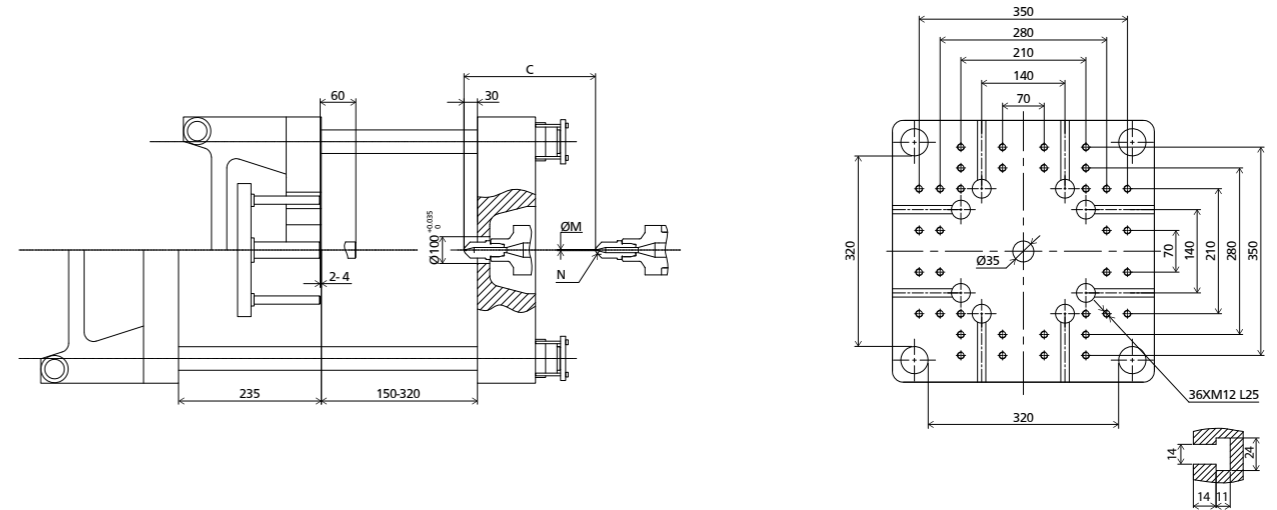
This parameter table is based on machine standard configuration;  
We reserve the right to make changes as a result of further technical advances.

## MACHINE DIMENSIONS

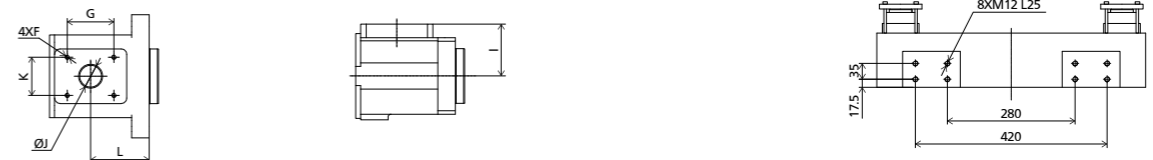


	A	B	C	D	E	F	G	H	I	J	K	L	M	N
50,50h,50hs	3512	479	290	199	1510	4×M8 L10	70	1788	110	40	85	59	Ø2	SR10
80,80h,80hs	3652	579	290	184	1510	4×M8 L10	70	1773	95	40	85	99.5	Ø2.2	SR10

## PLATEN DIMENSIONS



## OTHERS DIMENSIONS



HOPPER MOUNTING DIMENSION

ROBOT TOP VIEW FIXED PLATEN

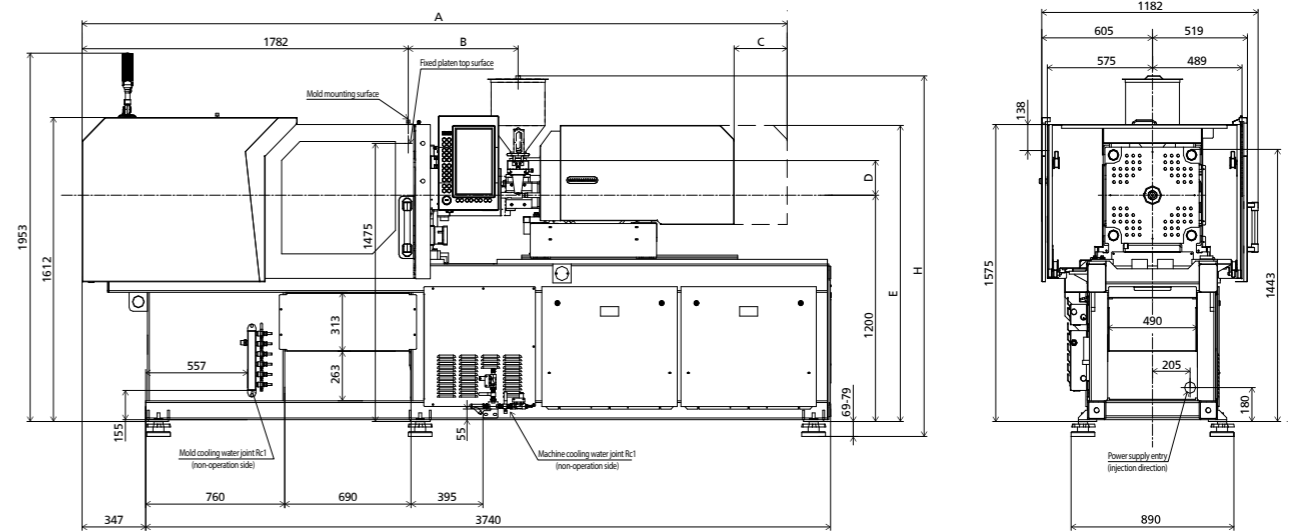
# TECHNICAL DATA ZE600 V

		CLAMPING UNIT			INJECTION UNIT		
		A	B	C	A	B	C
Clamping force	kN	600					
Mold opening stroke	mm	270					
Mold height min.	mm	150					
Mold height max.	mm	370					
Total daylight max.	mm	640					
Dist. Between tie-bars (H×V)	mm	370×370					
Size of mold platen (H×V)	mm	510×510					
Mold dimension min.	mm	240×240					
Ejector stroke	mm	80					
Ejector force	kN	24.5					
Screw diameter	mm	19	22	26	22	26	30
Screw L/D ratio	L/D	21	22	18	22	22	19
Injection volume (theoretical) <sup>1</sup>	cm <sup>3</sup>	21	36	50	36	58	77
Injection weight (PS) <sup>2</sup>	g	19.1	32.8	45.5	32.8	52	70
Injection pressure <sup>3</sup>	MPa	260	220	157	280	220	165
	bar	2600	2200	1570	2800	2200	1650
Holding pressure <sup>3</sup>	MPa	208	175	125	220	160	120
	bar	2080	1750	1250	2200	1600	1200
Screw speed	rpm	400			400		
Plasticizing rate (GPPS) <sup>4</sup>	g/s	3.8	6	8	6	8.8	13
Plasticizing rate (HDPE) <sup>5</sup>	g/s	-	-	-	-	-	-
Nozzle contact force	kN	26			26		
<b>INJECTION UNIT</b>		<b>80</b>			<b>120</b>		
Injection speed	mm/s	200			200		
Injection rate (PS)	g/s	49	66	92	66	92	123
<b>INJECTION UNIT</b>		<b>80h</b>			<b>120h</b>		
Injection speed	mm/s	350			350		
Injection rate (PS)	g/s	86	116	162	116	162	216
<b>INJECTION UNIT</b>		<b>80hs</b>			<b>120hs</b>		
Injection speed	mm/s	500			500		
Injection rate (PS)	g/s	123	166	231	166	231	308
Connection power	kW/A	80:11/19 80h:13/22 80hs:16/28			120:12/21 120h:16/28 120hs:19/33		
Heating power	kW	4.5	5.7	5.7	6	7.8	7.8
Machine dimension	m	4.09×1.19×1.96			4.09×1.19×1.96		
Machine weight	t	3.25			3.27		
Hopper capacity	l	15			15		
Pressure	MPa	17.5			17.5		
Flow	l/min	35			35		
Oil tank	l	45			45		

NOTE: <sup>1</sup> Shot volume is the theoretical value which equals to cross section area of screw cylinder or barrel plunger × screw stroke.  
<sup>2</sup> Shot weight (PS) is the theoretical value of shot volume melt density of PS. It is not a measured value.  
<sup>3</sup> Injection & holding pressure are theoretical values of machine output, not the actual resin pressure.  
<sup>4</sup> Plasticizing capacity(GPPS):GB standard,with application of GPPS plasticizing capacity of 3-zone screws.  
<sup>5</sup> Plasticizing capacity(HDPE):Euromap 19,with application of HDPE plasticizing capacity of barrier screws.

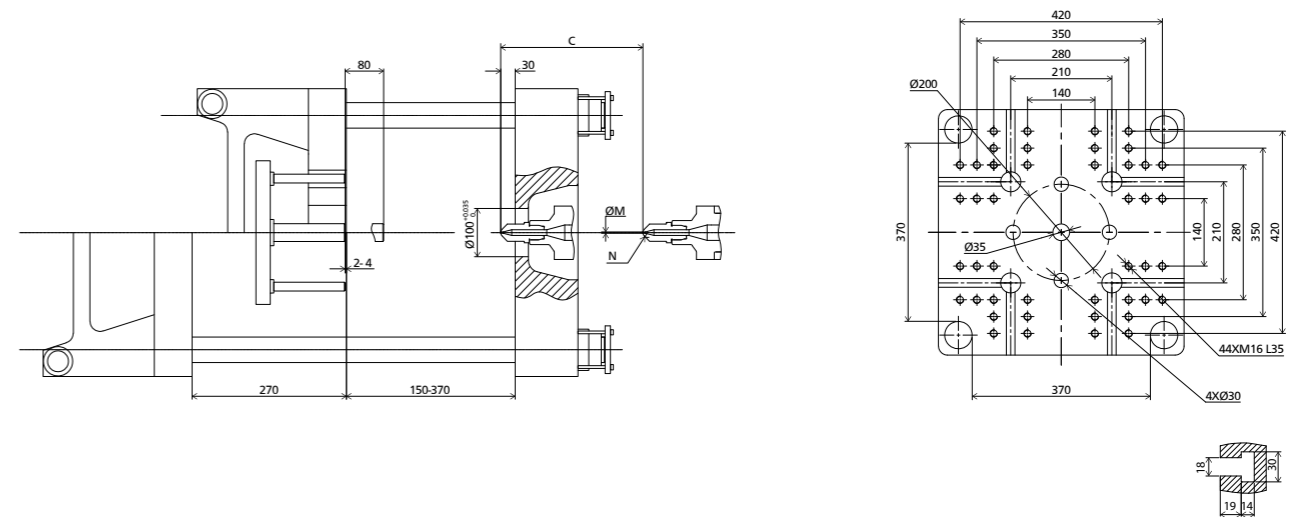
This parameter table is based on machine standard configuration;  
 We reserve the right to make changes as a result of further technical advances.

## MACHINE DIMENSIONS

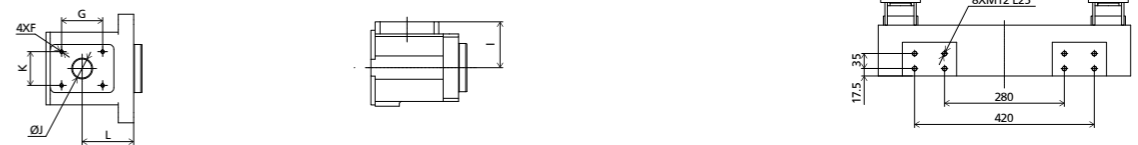


	A	B	C	D	E	F	G	H	I	J	K	L	M	N
80,80h,80hs	3844	579	290	184	1570	4×M8 L10	70	1833	95	40	85	99.5	Ø2.2	SR10
120,120h,120hs	3964	691	290	184	1570	4×M8 L12	70	1912	95	45	85	107	Ø2.5	SR10

## PLATEN DIMENSIONS



## OTHERS DIMENSIONS



HOPPER MOUNTING DIMENSION

ROBOT TOP VIEW FIXED PLATEN

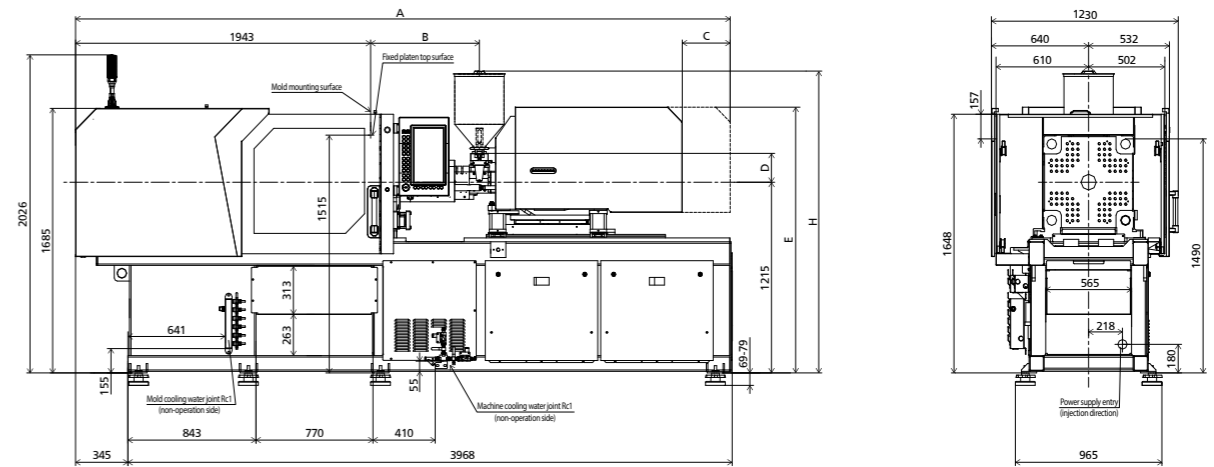
# TECHNICAL DATA ZE900 V

CLAMPING UNIT												
Clamping force	kN	900										
Mold opening stroke	mm	320										
Mold height min.	mm	150										
Mold height max.	mm	410										
Total daylight max.	mm	730										
Dist. Between tie-bars (H×V)	mm	420×420										
Size of mold platen (H×V)	mm	580×580										
Mold dimension min.	mm	270×270										
Ejector stroke	mm	80										
Ejector force	kN	24.5										
INJECTION UNIT		A	B	C	A	B	C	AA	A	B	C	
Screw diameter	mm	22	26	30	26	28	30	26	28	32	36	
Screw L/D ratio	L/D	22	22	19	22	21	19	21	21	21	18.6	
Injection volume (theoretical) <sup>1</sup>	cm <sup>3</sup>	36	58	77	58	67	77	61	70	100	127	
Injection weight (PS) <sup>2</sup>	g	32.8	52	70	52	61	70	55	64	91	115	
Injection pressure <sup>3</sup>	MPa	280	220	165	260	220	192	280	260	200	160	
	bar	2800	2200	1650	2600	2200	1920	2800	2600	2000	1600	
Holding pressure <sup>3</sup>	MPa	220	160	120	160	138	120	224	206	160	126	
	bar	2200	1600	1200	1600	1380	1200	2240	2060	1600	1260	
Screw speed	rpm	400			400			400				
Plasticizing rate (GPPS) <sup>4</sup>	g/s	6	8.8	13	8.8	11	13	8.5	11	16	19.4	
Plasticizing rate (HDPE) <sup>5</sup>	g/s	-	-	-	-	-	-	-	-	-	-	
Nozzle contact force	kN	26			26			26				
<b>INJECTION UNIT</b>		<b>120</b>			<b>160</b>			<b>210</b>				
Injection speed	mm/s	200			200			200				
Injection rate (PS)	g/s	66	92	123	92	107	123	92	107	140	177	
<b>INJECTION UNIT</b>		<b>120h</b>			<b>160h</b>			<b>210h</b>				
Injection speed	mm/s	350			350			350				
Injection rate (PS)	g/s	116	162	216	162	188	216	162	188	245	311	
<b>INJECTION UNIT</b>		<b>120hs</b>			<b>160hs</b>			<b>210hs</b>				
Injection speed	mm/s	500			500			500				
Injection rate (PS)	g/s	166	231	308	231	268	308	231	268	351	444	
Connection power	kW/A	120:12/21			160:14/24			210:16/26				
		120h:16/28			160h:18/30			210h:21/36				
		120hs:19/33			160hs:24/41			210hs:29/48				
Heating power	kW	6	7.8	7.8	7.5	7.5	7.5	6.9	7.8	9.2	9.2	
Machine dimension	m	4.33×1.23×2.03			4.33×1.23×2.03			4.39×1.23×2.03				
Machine weight	t	3.78			3.79			3.84				
Hopper capacity	l	15			15			15				
Pressure	MPa	17.5			17.5			17.5				
Flow	l/min	35			35			35				
Oil tank	l	47			47			47				

NOTE: <sup>1</sup> Shot volume is the theoretical value which equals to cross section area of screw cylinder or barrel plunger × screw stroke.  
<sup>2</sup> Shot weight (PS) is the theoretical value of shot volume melt density of PS. It is not a measured value.  
<sup>3</sup> Injection & holding pressure are theoretical values of machine output, not the actual resin pressure.  
<sup>4</sup> Plasticizing capacity(GPPS):GB standard,with application of GPPS plasticizing capacity of 3-zone screws.  
<sup>5</sup> Plasticizing capacity(HDPE):Euromap 19,with application of HDPE plasticizing capacity of barrier screws.

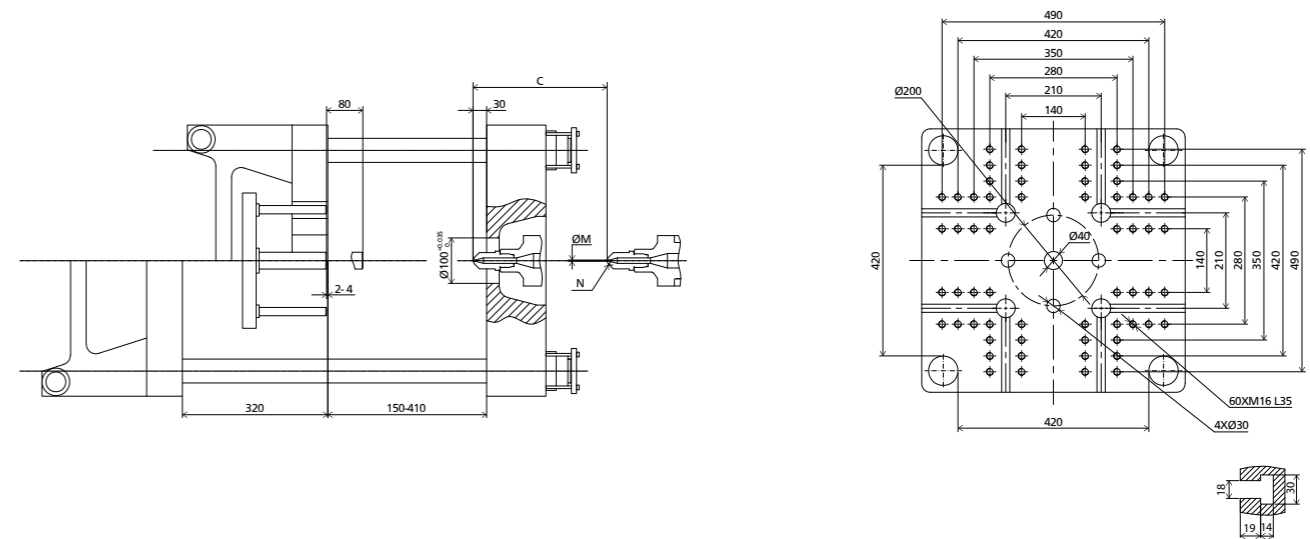
This parameter table is based on machine standard configuration;  
 We reserve the right to make changes as a result of further technical advances.

## MACHINE DIMENSIONS

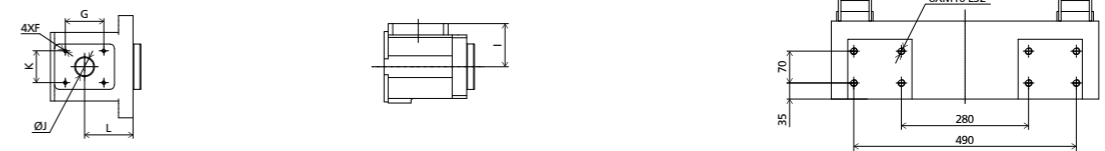


	A	B	C	D	E	F	G	H	I	J	K	L	M	N
120,120h,120hs	4135	691	300	184	1585	4×M8 L12	70	1927	95	45	85	107	Ø2.5	SR10
160,160h,160hs	4251	691	300	184	1693	4×M8 L12	70	1923	95	45	85	88	Ø2.5	SR10
210,210h,210hs	4386	792	315	184	1693	4×M8 L12	70	1923	95	50	85	107	Ø2.5	SR10

## PLATEN DIMENSIONS



## OTHERS DIMENSIONS



HOPPER MOUNTING DIMENSION

ROBOT TOP VIEW FIXED PLATEN

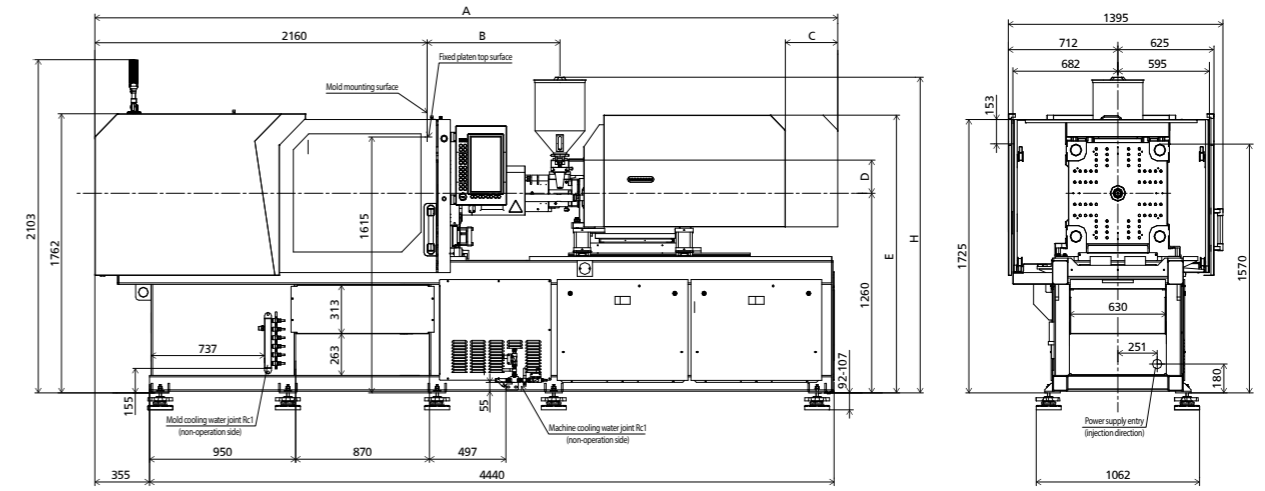
# TECHNICAL DATA ZE1200 V

CLAMPING UNIT	Clamping force	kN	1200															
	Mold opening stroke	mm	360															
INJECTION UNIT	Mold height min.	mm	150															
	Mold height max.	mm	480															
	Total daylight max.	mm	840															
	Dist. Between tie-bars (H×V)	mm	470×470															
	Size of mold platen (H×V)	mm	640×640															
	Mold dimension min.	mm	305×305															
	Ejector stroke	mm	100															
	Ejector force	kN	33															
	Screw diameter	mm	A	B	C	AA	A	B	C	AA	A	B	C	A	B	C		
	Screw L/D ratio	L/D	26	28	30	26	28	32	36	30	32	36	40	36	40	45		
	Injection volume (theoretical) <sup>1</sup>	cm <sup>3</sup>	58	67	77	61	70	100	127	102	116	147	182	173	213	270		
	Injection weight (PS) <sup>2</sup>	g	52	61	70	55	64	91	115	92	106	134	165	157	194	246		
Injection pressure <sup>3</sup>	MPa	260	220	192	280	260	200	160	280	253	200	162	247	200	158			
Holding pressure <sup>3</sup>	bar	2600	2200	1920	2800	2600	2000	1600	2800	2530	2000	1620	2470	2000	1580			
	MPa	160	138	120	224	206	160	126	224	202	160	130	197	160	126			
OTHERS	Screw speed	rpm	400				400				400							
		Plasticizing rate (GPPS) <sup>4</sup>	g/s	8.8	11	13	8.5	11	16	19.4	13.3	16.6	20.1	27.7	22	30	42	
	Plasticizing rate (HDPE) <sup>5</sup>	g/s	-	-	-	-	-	-	-	-	-	-	-	-	-	-		
	Nozzle contact force	kN	26				26				65							
	INJECTION UNIT		<b>160</b>				<b>210</b>				<b>300</b>				<b>430</b>			
	Injection speed	mm/s	200				200				200							
	Injection rate (PS)	g/s	92	107	123	92	107	140	177	123	140	177	219	200	219	277		
	INJECTION UNIT		<b>160h</b>				<b>210h</b>				<b>300h</b>				<b>430h</b>			
	Injection speed	mm/s	350				350				300				300			
	Injection rate (PS)	g/s	162	188	216	162	188	245	311	185	210	266	329	266	329	416		
	INJECTION UNIT		<b>160hs</b>				<b>210hs</b>				<b>300hs</b>				<b>430hs</b>			
	Injection speed	mm/s	500				500				500				500			
Injection rate (PS)	g/s	231	268	308	231	268	351	444	308	351	444	548	444	548	694			
Connection power	kW/A	160:14/24 160h:18/30 160hs:24/41				210:16/26 210h:21/36 210hs:29/48				300:20/34 300h:26/43 300hs:37/61				430:27/45 430h:31/52 430hs:48/81				
Heating power	kW	7.5	7.5	7.5	6.9	7.8	9.2	9.2	10.3	11.9	11.9	11.9	13.5					
Machine dimension	m	4.81×1.36×2.11				4.81×1.36×2.11				4.83×1.36×2.11				5.28×1.36×2.11				
Machine weight	t	4.78				4.83				5.00				5.33				
Hopper capacity	l	15				25				25				25				
Pressure	MPa	17.5				17.5				17.5				17.5				
Flow	l/min	48				48				48				48				
Oil tank	l	78				78				78				78				

NOTE: <sup>1</sup> Shot volume is the theoretical value which equals to cross section area of screw cylinder or barrel plunger × screw stroke.  
<sup>2</sup> Shot weight (PS) is the theoretical value of shot volume melt density of PS.It is not a measured value.  
<sup>3</sup> Injection & holding pressure are theoretical values of machine output, not the actual resin pressure.  
<sup>4</sup> Plasticizing capacity(GPPS):GB standard.with application of GPPS plasticizing capacity of 3-zone screws.  
<sup>5</sup> Plasticizing capacity(HDPE):Euromap 19.with application of HDPE plasticizing capacity of barrier screws.

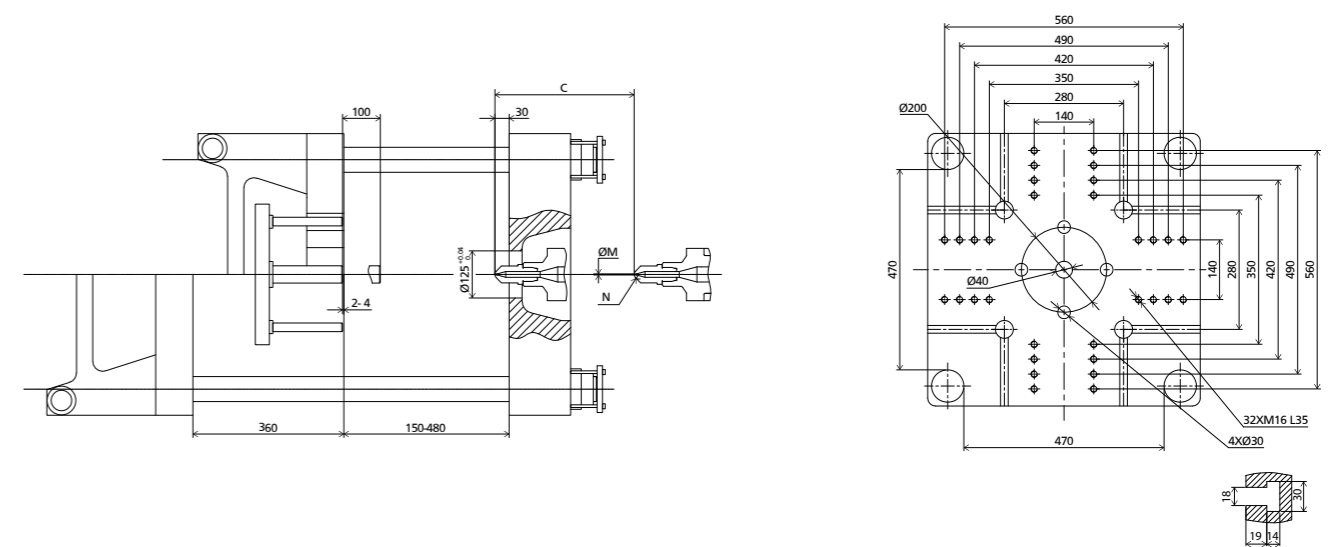
This parameter table is based on machine standard configuration;  
 We reserve the right to make changes as a result of further technical advances.

## MACHINE DIMENSIONS

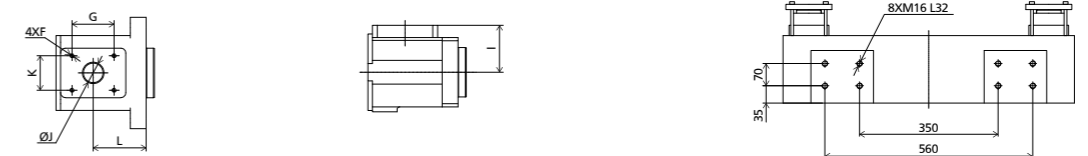


	A	B	C	D	E	F	G	H	I	J	K	L	M	N
160,160h,160hs	4468	691	300	184	1738	4×M8 L12	70	1968	95	45	85	88	Ø2.5	SR10
210,210h,210hs	4603	792	315	184	1738	4×M8 L12	70	1968	95	50	85	107	Ø2.5	SR10
300,300h,300hs	4825	859	340	209	1753	4×M8 L12	70	1993	120	55	85	122	Ø2.5	SR10
430,430h,430hs	5278	1008	360	224	1833	4×M8 L10	70	2008	135	65	85	104	Ø3	SR10

## PLATEN DIMENSIONS



## OTHERS DIMENSIONS



HOPPER MOUNTING DIMENSION

ROBOT TOP VIEW FIXED PLATEN

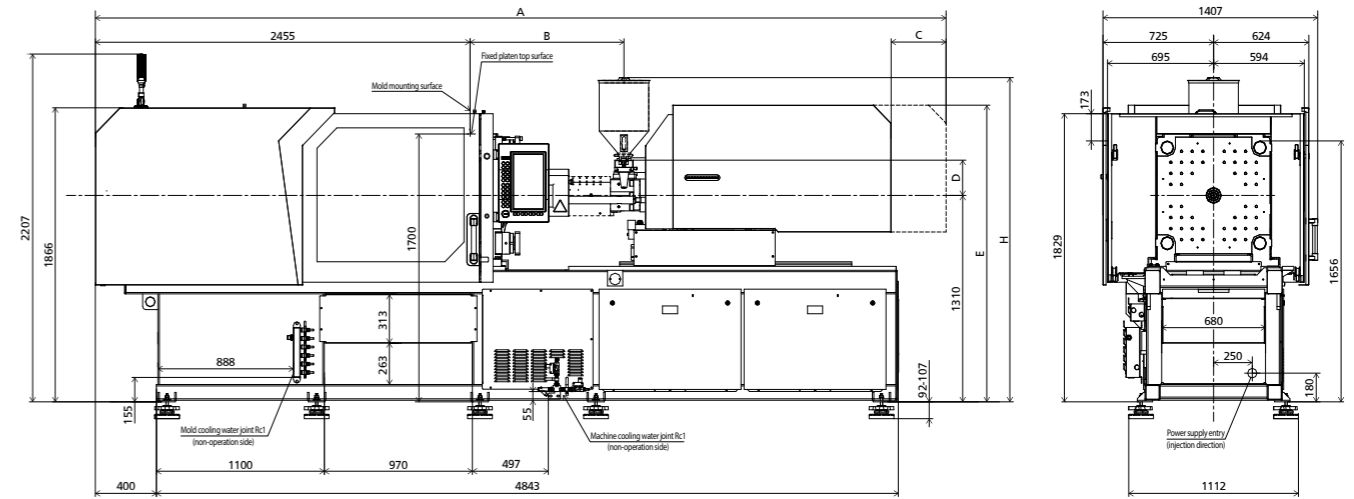
# TECHNICAL DATA ZE1500 V

		CLAMPING UNIT													
		AA	A	B	C	AA	A	B	C	A	B	C	A	B	C
Clamping force	kN	1500													
Mold opening stroke	mm	420													
Mold height min.	mm	180													
Mold height max.	mm	520													
Total daylight max.	mm	940													
Dist. Between tie-bars (H×V)	mm	520×520													
Size of mold platen (H×V)	mm	740×740													
Mold dimension min.	mm	335×335													
Ejector stroke	mm	120													
Ejector force	kN	33													
		AA	A	B	C	AA	A	B	C	A	B	C	A	B	C
Screw diameter	mm	26	28	32	36	30	32	36	40	36	40	45	40	45	50
Screw L/D ratio	L/D	21	21	21	18.6	21	22.5	20	18	23.3	21	18.7	22.5	20	18
Injection volume (theoretical) <sup>1</sup>	cm <sup>3</sup>	61	70	100	127	102	116	147	182	173	213	270	252	319	394
Injection weight (PS) <sup>2</sup>	g	55	64	91	115	92	106	134	165	157	194	246	229	290	358
Injection pressure <sup>3</sup>	MPa	280	260	200	160	280	253	200	162	247	200	158	253	200	162
	bar	2800	2600	2000	1600	2800	2530	2000	1620	2470	2000	1580	2530	2000	1620
Holding pressure <sup>3</sup>	MPa	224	206	160	126	224	202	160	130	197	160	126	202	160	130
	bar	2240	2060	1600	1260	2240	2020	1600	1300	1970	1600	1260	2020	1600	1300
Screw speed	rpm	400			400			400			350				
Plasticizing rate (GPPS) <sup>4</sup>	g/s	8.5	11	16	19.4	13.3	16.6	20.1	27.7	22	30	42	27	39	50
Plasticizing rate (HDPE) <sup>5</sup>	g/s	-	-	-	-	-	-	-	-	-	-	-	-	-	-
Nozzle contact force	kN	26			65			65			65				
<b>INJECTION UNIT</b>		<b>210</b>			<b>300</b>			<b>430</b>			<b>640</b>				
Injection speed	mm/s	200			200			200			160				
Injection rate (PS)	g/s	92	107	140	177	123	140	177	219	177	219	277	175	222	274
<b>INJECTION UNIT</b>		<b>210h</b>			<b>300h</b>			<b>430h</b>			<b>640h</b>				
Injection speed	mm/s	350			300			300			250				
Injection rate (PS)	g/s	162	188	245	311	185	210	266	329	266	329	416	274	347	428
<b>INJECTION UNIT</b>		<b>210hs</b>			<b>300hs</b>			<b>430hs</b>			<b>640hs</b>				
Injection speed	mm/s	500			500			500			350				
Injection rate (PS)	g/s	231	268	351	444	308	351	444	548	444	548	694	384	486	600
Connection power	kW/A	210:16/26 210h:21/36 210hs:29/48			300:20/34 300h:26/43 300hs:37/61			430:27/45 430h:31/52 430hs:48/81			640:28/47 640h:32/53 640hs:49/82				
Heating power	kW	6.9	7.8	9.2	9.2	10.3	11.9	11.9	11.9	13.5			14.8		
Machine dimension	m	5.26×1.41×2.21			5.26×1.41×2.21			5.58×1.41×2.21			5.71×1.41×2.21				
Machine weight	t	5.98			6.14			6.50			6.56				
Hopper capacity	l	25			25			25			25				
Pressure	MPa	17.5			17.5			17.5			17.5				
Flow	l/min	48			48			48			48				
Oil tank	l	67			67			67			67				

NOTE: <sup>1</sup> Shot volume is the theoretical value which equals to cross section area of screw cylinder or barrel plunger × screw stroke.  
<sup>2</sup> Shot weight (PS) is the theoretical value of shot volume melt density of PS. It is not a measured value.  
<sup>3</sup> Injection & holding pressure are theoretical values of machine output, not the actual resin pressure.  
<sup>4</sup> Plasticizing capacity(GPPS):GB standard,with application of GPPS plasticizing capacity of 3-zone screws.  
<sup>5</sup> Plasticizing capacity(HDPE):Euromap 19,with application of HDPE plasticizing capacity of barrier screws.

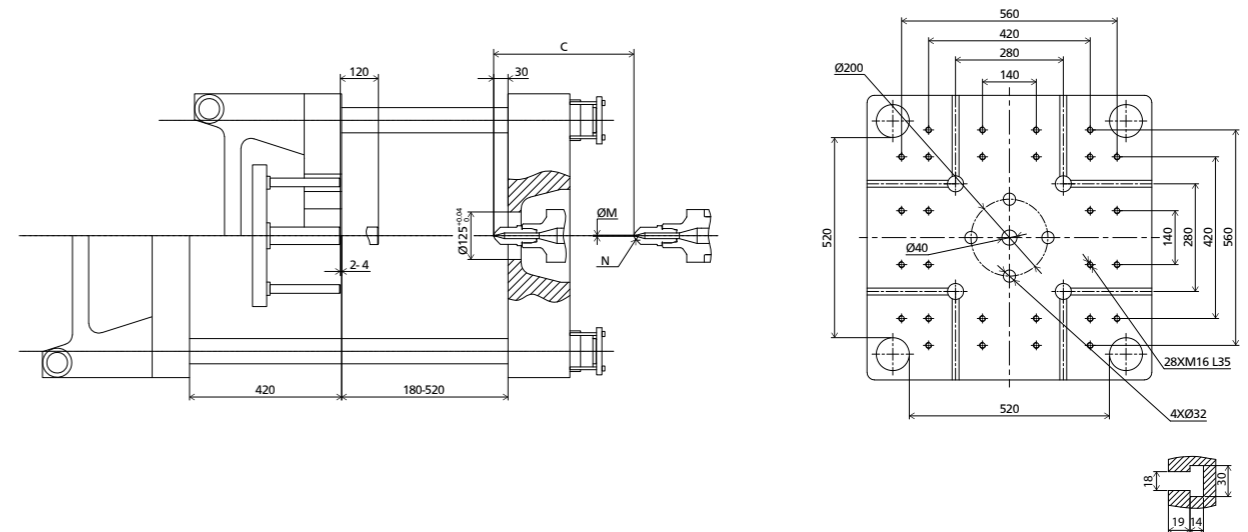
This parameter table is based on machine standard configuration;  
 We reserve the right to make changes as a result of further technical advances.

## MACHINE DIMENSIONS

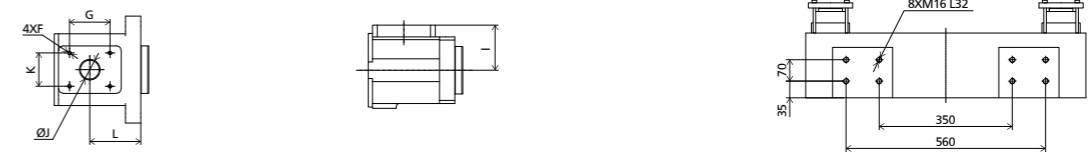


	A	B	C	D	E	F	G	H	I	J	K	L	M	N
210,210h,210hs	4898	792	315	184	1788	4×M8 L12	70	2018	95	50	85	107	Ø2.5	SR10
300,300h,300hs	5120	859	340	209	1803	4×M8 L12	70	2043	120	55	85	122	Ø2.5	SR10
430,430h,430hs	5573	1008	360	224	1883	4×M8 L10	70	2058	135	65	85	104	Ø3	SR10
640,640h,640hs	5701	1068	390	214	1883	4×M8 L10	70	2048	125	65	85	141.5	Ø3	SR10

## PLATEN DIMENSIONS



## OTHERS DIMENSIONS



HOPPER MOUNTING DIMENSION

ROBOT TOP VIEW FIXED PLATEN

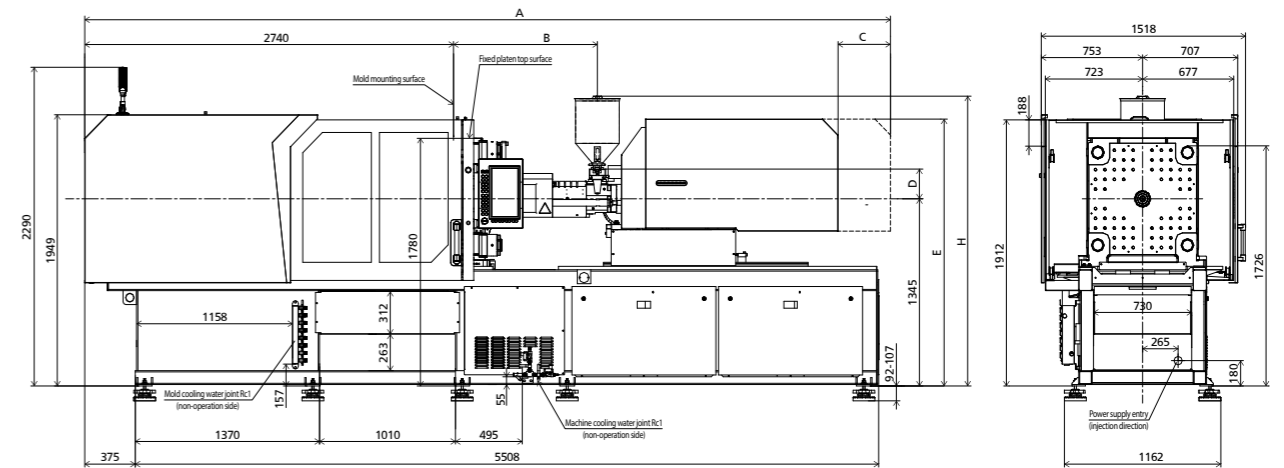
# TECHNICAL DATA ZE1900 V

		CLAMPING UNIT												
		AA			A			B			C			
Clamping force	kN	1900												
Mold opening stroke	mm	470												
Mold height min.	mm	200												
Mold height max.	mm	550												
Total daylight max.	mm	1020												
Dist. Between tie-bars (H×V)	mm	570×570												
Size of mold platen (H×V)	mm	800×800												
Mold dimension min.	mm	370×370												
Ejector stroke	mm	130												
Ejector force	kN	55												
		AA			A			B			C			
Screw diameter	mm	30	32	36	40	36	40	45	40	45	50	45	50	55
Screw L/D ratio	L/D	21	22.5	20	18	23.3	21	18.7	22.5	20	18	22.2	20	18
Injection volume (theoretical) <sup>1</sup>	cm <sup>3</sup>	102	116	147	182	173	213	270	252	319	394	333	412	498
Injection weight (PS) <sup>2</sup>	g	92	106	134	165	157	194	246	229	290	358	304	375	454
Injection pressure <sup>3</sup>	MPa	280	253	200	162	247	200	158	253	200	162	247	200	165
	bar	2800	2530	2000	1620	2470	2000	1580	2530	2000	1620	2470	2000	1650
Holding pressure <sup>3</sup>	MPa	224	202	160	130	197	160	126	202	160	130	197	160	132
	bar	2240	2020	1600	1300	1970	1600	1260	2020	1600	1300	1970	1600	1320
Screw speed	rpm	400			400			350			320			
Plasticizing rate (GPPS) <sup>4</sup>	g/s	13.3	16.6	20.1	27.7	22	30	42	27	39	50	35	46	60
Plasticizing rate (HDPE) <sup>5</sup>	g/s	-	-	-	-	-	-	-	-	-	-	-	-	-
Nozzle contact force	kN	65			65			65			85			
<b>INJECTION UNIT</b>		<b>300</b>			<b>430</b>			<b>640</b>			<b>830</b>			
Injection speed	mm/s	200			200			160			160			
Injection rate (PS)	g/s	123	140	177	219	177	219	277	175	222	274	222	274	332
<b>INJECTION UNIT</b>		<b>300h</b>			<b>430h</b>			<b>640h</b>			<b>830h</b>			
Injection speed	mm/s	300			300			250			250			
Injection rate (PS)	g/s	185	210	266	329	266	329	416	274	347	428	347	428	518
<b>INJECTION UNIT</b>		<b>300hs</b>			<b>430hs</b>			<b>640hs</b>			<b>830hs</b>			
Injection speed	mm/s	500			500			350			350			
Injection rate (PS)	g/s	308	351	444	548	444	548	694	384	486	600	486	600	726
Connection power	kW/A	300:20/34 300h:26/43 300hs:37/61			430:27/45 430h:31/52 430hs:48/81			640:28/47 640h:32/53 640hs:49/82			830:34/58 830h:38/65 830hs:58/98			
Heating power	kW	10.3	11.9	11.9	11.9	13.5			14.8			20.2		
Machine dimension	m	5.90×1.52×2.29			5.90×1.52×2.29			5.99×1.52×2.29			6.30×1.52×2.29			
Machine weight	t	7.55			7.85			7.90			8.50			
Hopper capacity	l	25			25			25			50			
Pressure	MPa	17.5			17.5			17.5			17.5			
Flow	l/min	79			79			79			79			
Oil tank	l	107			107			107			107			

NOTE: <sup>1</sup> Shot volume is the theoretical value which equals to cross section area of screw cylinder or barrel plunger × screw stroke.  
<sup>2</sup> Shot weight (PS) is the theoretical value of shot volume melt density of PS. It is not a measured value.  
<sup>3</sup> Injection & holding pressure are theoretical values of machine output, not the actual resin pressure.  
<sup>4</sup> Plasticizing capacity(GPPS):GB standard,with application of GPPS plasticizing capacity of 3-zone screws.  
<sup>5</sup> Plasticizing capacity(HDPE):Euromap 19,with application of HDPE plasticizing capacity of barrier screws.

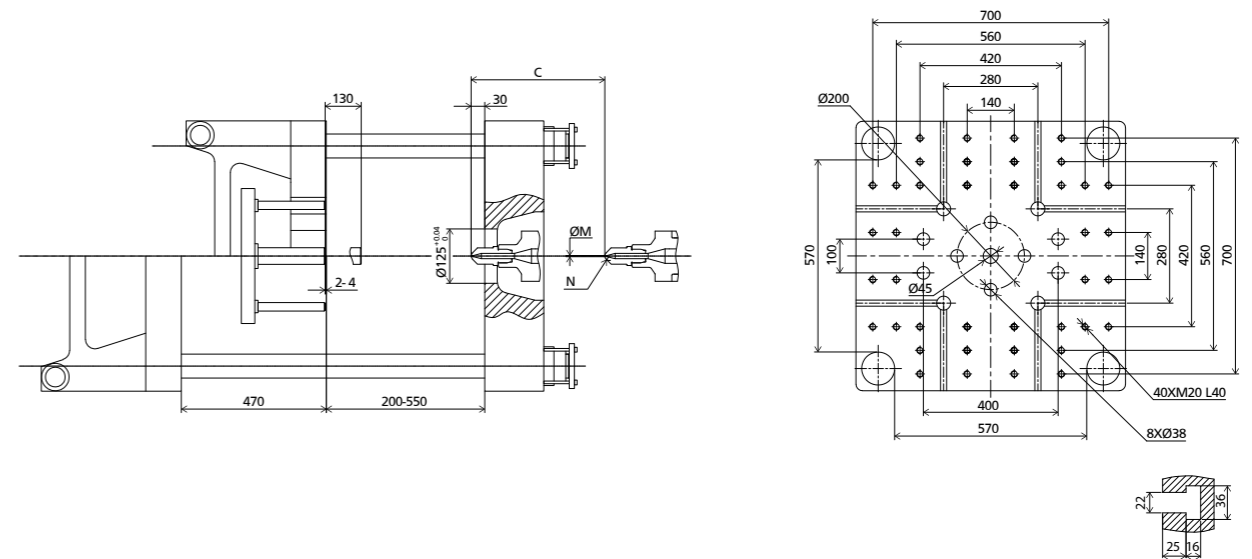
This parameter table is based on machine standard configuration;  
 We reserve the right to make changes as a result of further technical advances.

## MACHINE DIMENSIONS

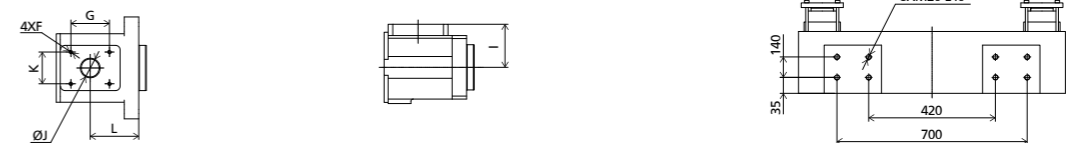


	A	B	C	D	E	F	G	H	I	J	K	L	M	N
300,300h,300hs	5425	859	360	209	1838	4×M8 L12	70	2078	120	55	85	122	Ø2.5	SR10
430,430h,430hs	5888	1008	390	224	1918	4×M8 L10	70	2093	135	65	85	104	Ø3	SR10
640,640h,640hs	5986	1068	390	214	1918	4×M8 L10	70	2083	125	65	85	141.5	Ø3	SR10
830,830h,830hs	6299	1181	450	255	2056	4×M10 L20	115	2203	153	65	115	122.5	Ø3	SR10

## PLATEN DIMENSIONS



## OTHERS DIMENSIONS



HOPPER MOUNTING DIMENSION

ROBOT TOP VIEW FIXED PLATEN

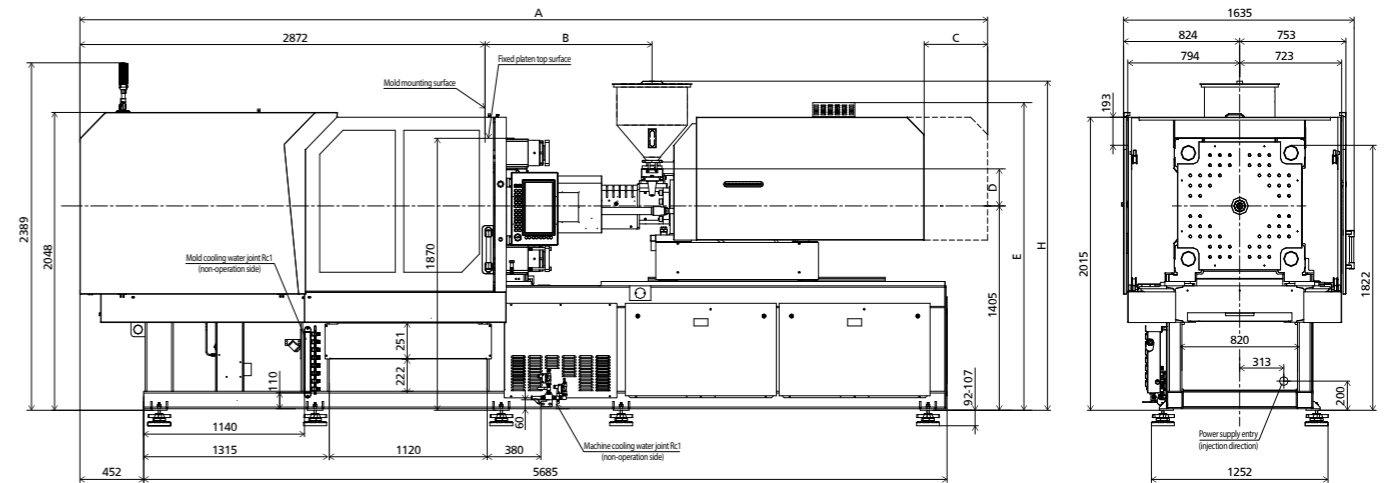
# TECHNICAL DATA ZE2300 V

		CLAMPING UNIT											
		A			B			C			D		
Clamping force	kN	2300											
Mold opening stroke	mm	550											
Mold height min.	mm	220											
Mold height max.	mm	600											
Total daylight max.	mm	1150											
Dist. Between tie-bars (H×V)	mm	620×620											
Size of mold platen (H×V)	mm	880×880											
Mold dimension min.	mm	400×400											
Ejector stroke	mm	150											
Ejector force	kN	55											
		A			B			C			D		
Screw diameter	mm	36	40	45	40	45	50	45	50	55	50	55	60
Screw L/D ratio	L/D	23.3	21	18.7	22.5	20	18	22.2	20	18	22	20	18.3
Injection volume (theoretical) <sup>1</sup>	cm <sup>3</sup>	173	213	270	252	319	394	333	412	498	471	570	678
Injection weight (PS) <sup>2</sup>	g	157	194	246	229	290	358	304	375	454	428	518	617
Injection pressure <sup>3</sup>	MPa	247	200	158	253	200	162	247	200	165	218	180	151
	bar	2470	2000	1580	2530	2000	1620	2470	2000	1650	2180	1800	1510
Holding pressure <sup>3</sup>	MPa	197	160	126	202	160	130	197	160	132	194	160	134
	bar	1970	1600	1260	2020	1600	1300	1970	1600	1320	1940	1600	1340
Screw speed	rpm	400			350			320			320		
Plasticizing rate (GPPS) <sup>4</sup>	g/s	22	30	42	27	39	50	35	46	60	52	64	75
Plasticizing rate (HDPE) <sup>5</sup>	g/s	-	-	-	-	-	-	-	-	-	-	-	-
Nozzle contact force	kN	65			65			85			85		
<b>INJECTION UNIT</b>		<b>430</b>			<b>640</b>			<b>830</b>			<b>1100</b>		
Injection speed	mm/s	200			160			160			160		
Injection rate (PS)	g/s	177	219	277	175	222	274	222	274	332	274	160	395
<b>INJECTION UNIT</b>		<b>430h</b>			<b>640h</b>			<b>830h</b>			<b>1100h</b>		
Injection speed	mm/s	300			250			250			250		
Injection rate (PS)	g/s	266	329	416	274	347	428	347	428	518	428	518	617
<b>INJECTION UNIT</b>		<b>430hs</b>			<b>640hs</b>			<b>830hs</b>			<b>1100hs</b>		
Injection speed	mm/s	500			350			350			350		
Injection rate (PS)	g/s	444	548	694	384	486	600	486	600	726	600	726	864
Connection power	kW/A	430:27/45			640:28/47			830:34/58			1100:44/74		
		430h:31/52			640h:32/53			830h:38/65			1100h:44/74		
		430hs:48/81			640hs:49/82			830hs:58/98			1100hs:69/116		
Heating power	kW	13.5			14.8			20.2			23		
Machine dimension	m	6.15×1.64×2.39			6.15×1.64×2.39			6.44×1.64×2.39			6.71×1.64×2.39		
Machine weight	t	9.85			9.90			10.64			10.79		
Hopper capacity	l	25			25			50			50		
Pressure	MPa	17.5			17.5			17.5			17.5		
Flow	l/min	79			79			79			79		
Oil tank	l	104			104			104			104		

NOTE: <sup>1</sup> Shot volume is the theoretical value which equals to cross section area of screw cylinder or barrel plunger × screw stroke.  
<sup>2</sup> Shot weight (PS) is the theoretical value of shot volume melt density of PS. It is not a measured value.  
<sup>3</sup> Injection & holding pressure are theoretical values of machine output, not the actual resin pressure.  
<sup>4</sup> Plasticizing capacity(GPPS):GB standard,with application of GPPS plasticizing capacity of 3-zone screws.  
<sup>5</sup> Plasticizing capacity(HDPE):Euromap 19,with application of HDPE plasticizing capacity of barrier screws.

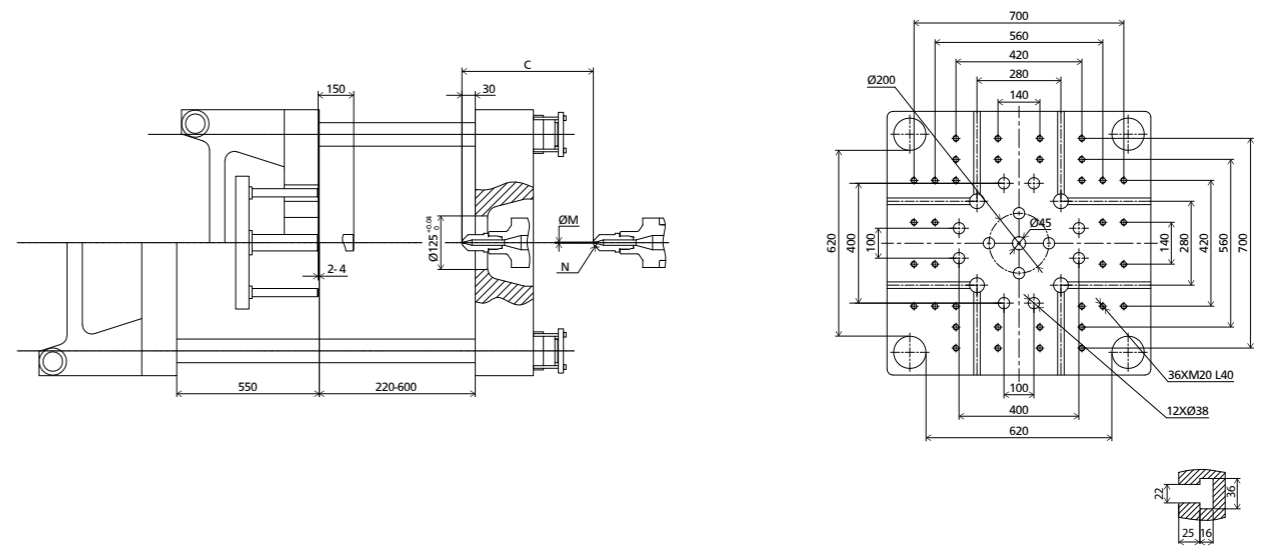
This parameter table is based on machine standard configuration;  
 We reserve the right to make changes as a result of further technical advances.

## MACHINE DIMENSIONS

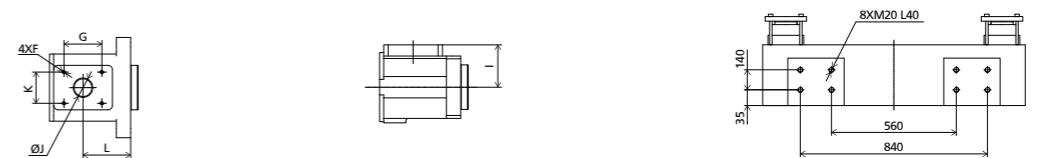


	A	B	C	D	E	F	G	H	I	J	K	L	M	N
430,430h,430hs	6020	1008	390	224	1978	4×M8 L10	70	2153	135	65	85	104	Ø3	SR10
640,640h,640hs	6128	1068	400	214	1978	4×M8 L10	70	2143	125	65	85	141.5	Ø3	SR10
830,830h,830hs	6431	1181	450	255	2116	4×M10 L20	115	2263	153	65	115	122.5	Ø3	SR10
110,1100h,1100hs	6707	1295	520	245	2145	4×M10 L20	115	2253	143	82	115	180	Ø3	SR10

## PLATEN DIMENSIONS



## OTHERS DIMENSIONS



HOPPER MOUNTING DIMENSION

ROBOT TOP VIEW FIXED PLATEN



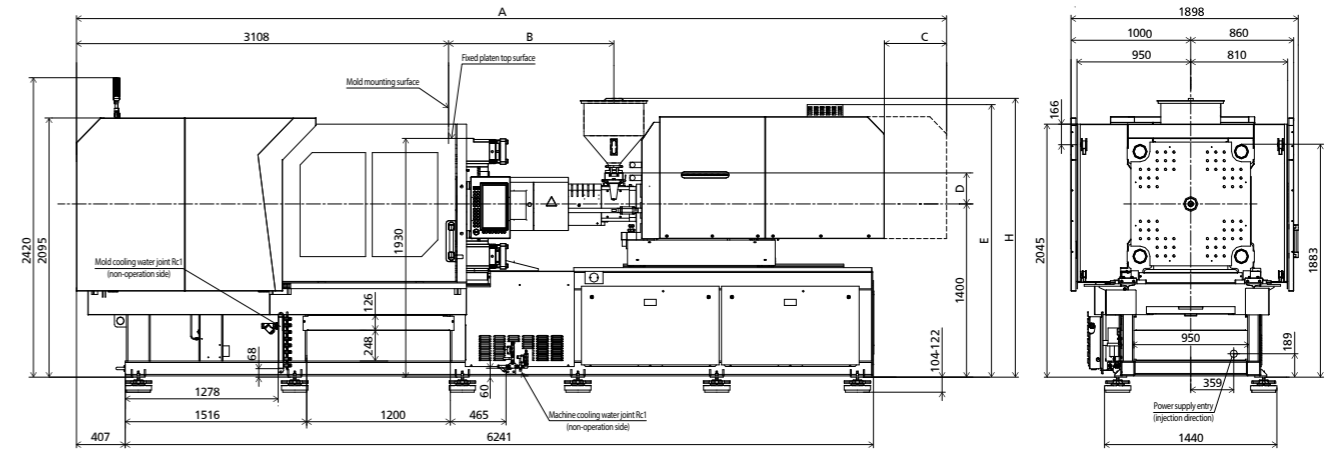
# TECHNICAL DATA ZE3000 V

		CLAMPING UNIT											
		A			B			C			D		
Clamping force	kN	3000											
Mold opening stroke	mm	600											
Mold height min.	mm	280											
Mold height max.	mm	650											
Total daylight max.	mm	1250											
Dist. Between tie-bars (H×V)	mm	730×730											
Size of mold platen (H×V)	mm	1000×1000											
Mold dimension min.	mm	470×470											
Ejector stroke	mm	160											
Ejector force	kN	68.6											
		A			B			C			D		
Screw diameter	mm	45	50	55	50	55	60	55	60	65	60	65	70
Screw L/D ratio	L/D	22.2	20	18	22	20	18.3	21.8	20	18.5	21.6	20	18.6
Injection volume (theoretical) <sup>1</sup>	cm <sup>3</sup>	333	412	498	471	570	678	617	735	862	791	929	1077
Injection weight (PS) <sup>2</sup>	g	304	375	454	428	518	617	562	668	785	720	845	980
Injection pressure <sup>3</sup>	MPa	247	200	165	218	180	151	214	180	153	210	180	155
	bar	2470	2000	1650	2180	1800	1510	2140	1800	1530	2100	1800	1550
Holding pressure <sup>3</sup>	MPa	197	160	132	194	160	134	190	160	136	187	160	138
	bar	1970	1600	1320	1940	1600	1340	1900	1600	1360	1870	1600	1380
Screw speed	rpm	320			320			300			260		
Plasticizing rate (GPPS) <sup>4</sup>	g/s	35	46	60	52	64	75	54	64	71	57	68	72
Plasticizing rate (HDPE) <sup>5</sup>	g/s	-	-	-	-	-	-	-	-	-	-	-	-
Nozzle contact force	kN	85			85			85			85		
INJECTION UNIT		830			1100			1400			1700		
Injection speed	mm/s	160			160			160			160		
Injection rate (PS)	g/s	222	274	332	274	332	395	332	395	463	395	463	537
INJECTION UNIT		830h			1100h			1400h			1700h		
Injection speed	mm/s	250			250			250			250		
Injection rate (PS)	g/s	347	428	518	428	518	617	518	617	724	617	724	840
INJECTION UNIT		830hs			1100hs			1400hs			1700hs		
Injection speed	mm/s	350			350			350			350		
Injection rate (PS)	g/s	486	600	726	600	726	864	726	864	1014	864	1014	1176
Connection power	kW/A	830:34/58			1100:44/74			1400:52/87			1700:58/98		
		830h:38/65			1100h:44/74			1400h:65/109			1700h:74/125		
		830hs:58/98			1100hs:69/116			1400hs:69/115			1700hs:83/139		
Heating power	kW	20.2			23			29.3			33.1		
Machine dimension	m	6.67×1.90×2.42			6.95×1.90×2.42			7.03×1.90×2.42			7.51×1.90×2.42		
Machine weight	t	13.45			13.60			13.60			14.30		
Hopper capacity	l	50			50			50			50		
Pressure	MPa	17.5			17.5			17.5			17.5		
Flow	l/min	90			90			90			90		
Oil tank	l	123			123			123			123		

NOTE: <sup>1</sup> Shot volume is the theoretical value which equals to cross section area of screw cylinder or barrel plunger × screw stroke.  
<sup>2</sup> Shot weight (PS) is the theoretical value of shot volume melt density of PS. It is not a measured value.  
<sup>3</sup> Injection & holding pressure are theoretical values of machine output, not the actual resin pressure.  
<sup>4</sup> Plasticizing capacity(GPPS):GB standard,with application of GPPS plasticizing capacity of 3-zone screws.  
<sup>5</sup> Plasticizing capacity(HDPE):Euromap 19,with application of HDPE plasticizing capacity of barrier screws.

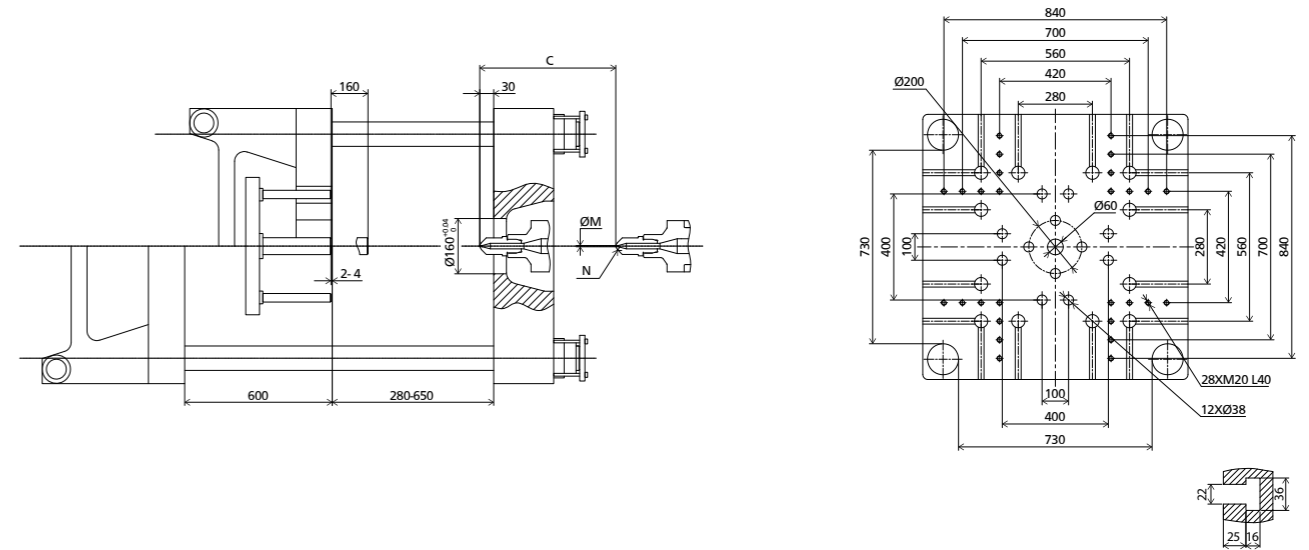
This parameter table is based on machine standard configuration;  
 We reserve the right to make changes as a result of further technical advances.

## MACHINE DIMENSIONS

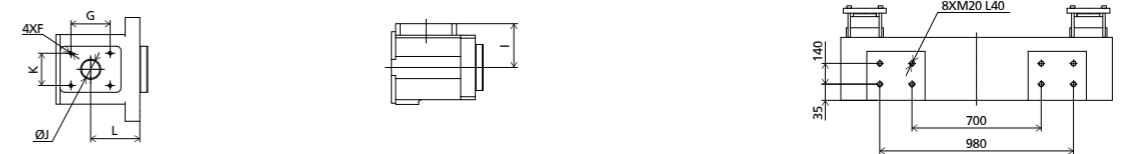


	A	B	C	D	E	F	G	H	I	J	K	L	M	N
830,830h,830hs	6667	1181	450	255	2111	4×M10 L20	115	2258	153	65	115	122.5	Ø3	SR10
1100,1100h,1100hs	6943	1295	520	245	2140	4×M10 L20	115	2248	143	82	115	180	Ø3	SR10
1400,1400h,1400hs	7021	1383	520	245	2111	4×M10 L20	115	2248	149	82	115	204	Ø3	SR10
1700,1700h,1700hs	7504	1543	560	250	2203	4×M10 L20	115	2253	148	95	115	222.5	Ø3	SR10

## PLATEN DIMENSIONS



## OTHERS DIMENSIONS



HOPPER MOUNTING DIMENSION

ROBOT TOP VIEW FIXED PLATEN

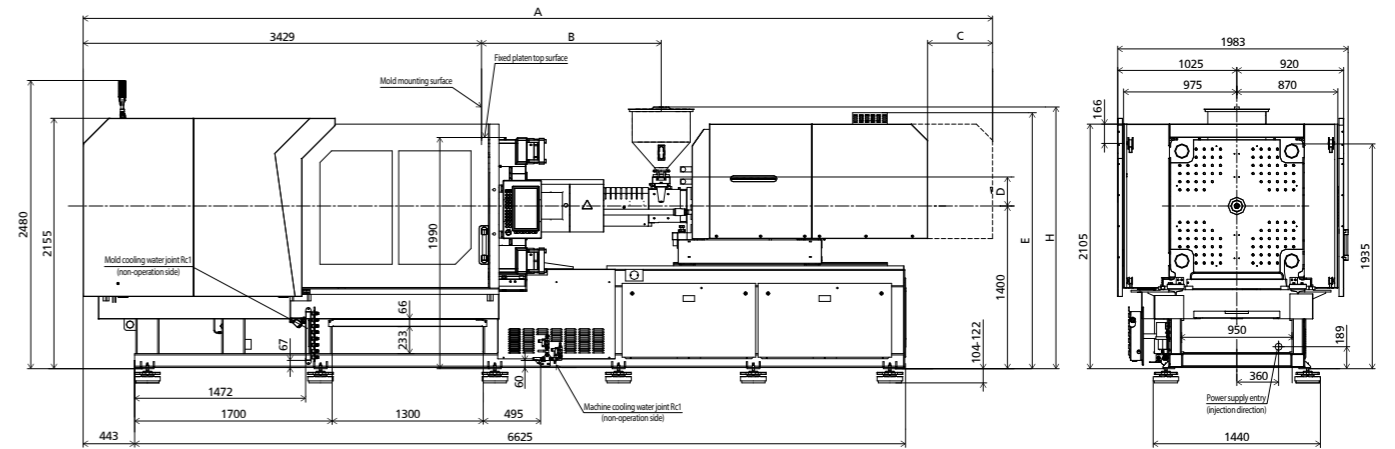
# TECHNICAL DATA ZE3600 V

		A	B	C	A	B	C	A	B	C	A	B	C	
<b>CLAMPING UNIT</b>	Clamping force	kN	3600											
	Mold opening stroke	mm	730											
	Mold height min.	mm	320											
	Mold height max.	mm	710											
	Total daylight max.	mm	1440											
	Dist. Between tie-bars (H×V)	mm	820×820											
	Size of mold platen (H×V)	mm	1140×1140											
Mold dimension min.	mm	540×540												
Ejector stroke	mm	160												
Ejector force	kN	68.6												
<b>INJECTION UNIT</b>	Screw diameter	mm	50	55	60	55	60	65	60	65	70	65	70	80
	Screw L/D ratio	L/D	22	20	18.3	21.8	20	18.5	21.6	20	18.6	21.5	20	17.5
	Injection volume (theoretical) <sup>1</sup>	cm <sup>3</sup>	471	570	678	617	735	862	791	929	1077	1068	1239	1618
	Injection weight (PS) <sup>2</sup>	g	428	518	617	562	668	785	720	845	980	972	1127	1472
	Injection pressure <sup>3</sup>	MPa	218	180	151	214	180	153	210	180	155	210	180	138
		bar	2180	1800	1510	2140	1800	1530	2100	1800	1550	2100	1800	1380
	Holding pressure <sup>3</sup>	MPa	194	160	134	190	160	136	187	160	138	190	162	124
		bar	1940	1600	1340	1900	1600	1360	1870	1600	1380	1900	1620	1240
	Screw speed	rpm	320			300			260			240		
	Plasticizing rate (GPPS) <sup>4</sup>	g/s	52	64	75	54	64	71	57	68	72	62	71	80
	Plasticizing rate (HDPE) <sup>5</sup>	g/s	-	-	-	-	-	-	-	-	93	111	125	-
	Nozzle contact force	kN	85			85			85			85		
	<b>INJECTION UNIT</b>		<b>1100</b>			<b>1400</b>			<b>1700</b>			<b>2250</b>		
	Injection speed	mm/s	160			160			160			160		
Injection rate (PS)	g/s	274	332	395	332	395	463	395	463	537	463	537	702	
<b>INJECTION UNIT</b>		<b>1100h</b>			<b>1400h</b>			<b>1700h</b>			<b>2250h</b>			
Injection speed	mm/s	250			250			250			250			
Injection rate (PS)	g/s	428	518	617	518	617	724	617	724	840	723	839	1097	
<b>INJECTION UNIT</b>		<b>1100hs</b>			<b>1400hs</b>			<b>1700hs</b>			<b>-</b>			
Injection speed	mm/s	350			350			350			-			
Injection rate (PS)	g/s	600	726	864	726	864	1014	864	1014	1176	-	-	-	
<b>OTHERS</b>	Connection power	kW/A	1100:44/74 1100h:44/74 1100hs:69/116			1400:52/87 1400h:65/109 1400hs:69/115			1700:58/98 1700h:74/125 1700hs:83/139			2250:65/109 2250h:89/150		
	Heating power	kW	23			29.3			33.1			36.1		
	Machine dimension	m	7.27×1.99×2.48			7.35×1.99×2.48			7.83×1.99×2.48			7.57×1.99×2.48		
	Machine weight	t	16.50			16.50			17.20			18.78		
	Hopper capacity	l	50			50			50			50		
	Pressure	MPa	17.5			17.5			17.5			17.5		
	Flow	l/min	90			90			90			90		
Oil tank	l	126			126			126			126			

NOTE: <sup>1</sup> Shot volume is the theoretical value which equals to cross section area of screw cylinder or barrel plunger × screw stroke.  
<sup>2</sup> Shot weight (PS) is the theoretical value of shot volume melt density of PS.It is not a measured value.  
<sup>3</sup> Injection & holding pressure are theoretical values of machine output, not the actual resin pressure.  
<sup>4</sup> Plasticizing capacity(GPPS):GB standard,with application of GPPS plasticizing capacity of 3-zone screws.  
<sup>5</sup> Plasticizing capacity(HDPE):Euromap 19.with application of HDPE plasticizing capacity of barrier screws.

This parameter table is based on machine standard configuration;  
 We reserve the right to make changes as a result of further technical advances.

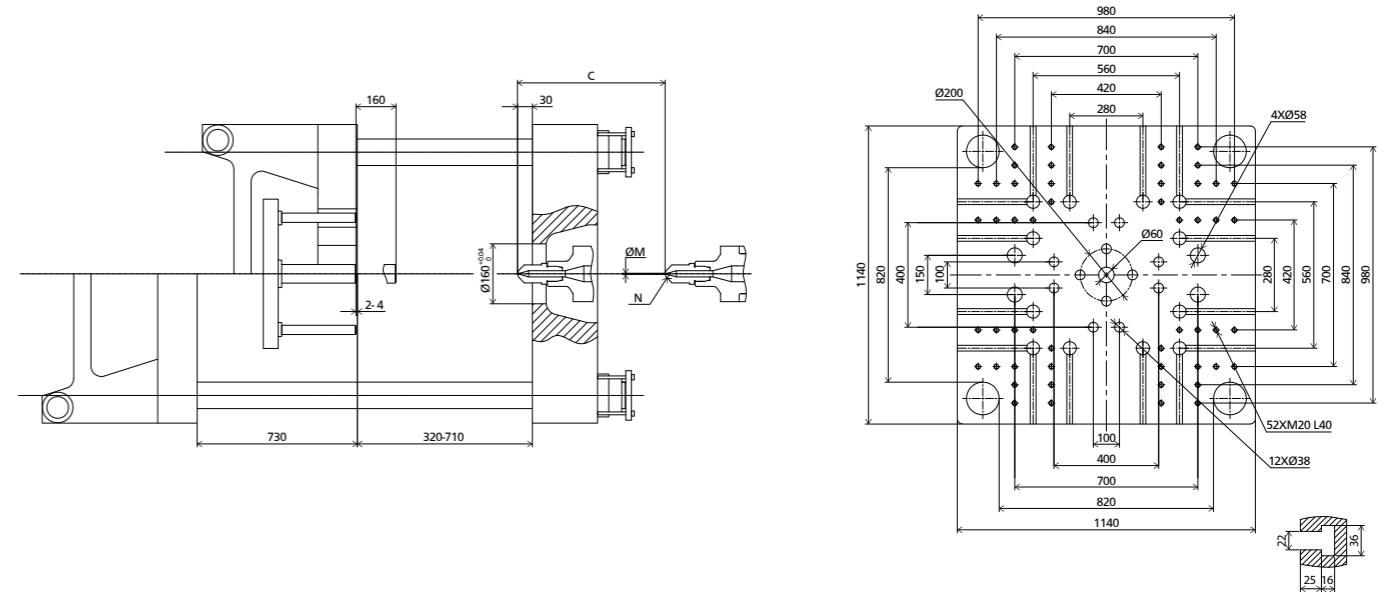
## MACHINE DIMENSIONS



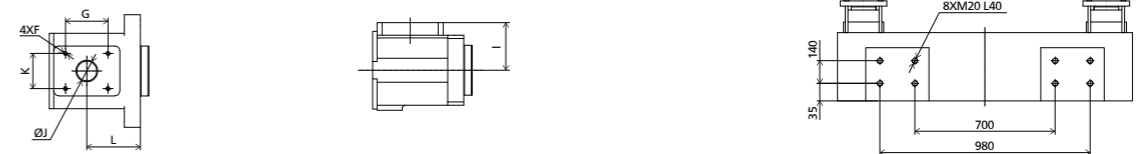
Note: The above machine size does not apply to the 2250 injection unit.

	A	B	C	D	E	F	G	H	I	J	K	L	M	N
1100,1100h,1100hs	7264	1295	520	245	2140	4×M10 L20	115	2248	143	82	115	180	Ø3	SR10
1400,1400h,1400hs	7342	1383	520	245	2111	4×M10 L20	115	2248	149	82	115	204	Ø3	SR10
1700,1700h,1700hs	7825	1543	560	250	2203	4×M10 L20	115	2253	148	95	115	222.5	Ø3	SR10

## PLATEN DIMENSIONS



## OTHERS DIMENSIONS



HOPPER MOUNTING DIMENSION

ROBOT TOP VIEW FIXED PLATEN

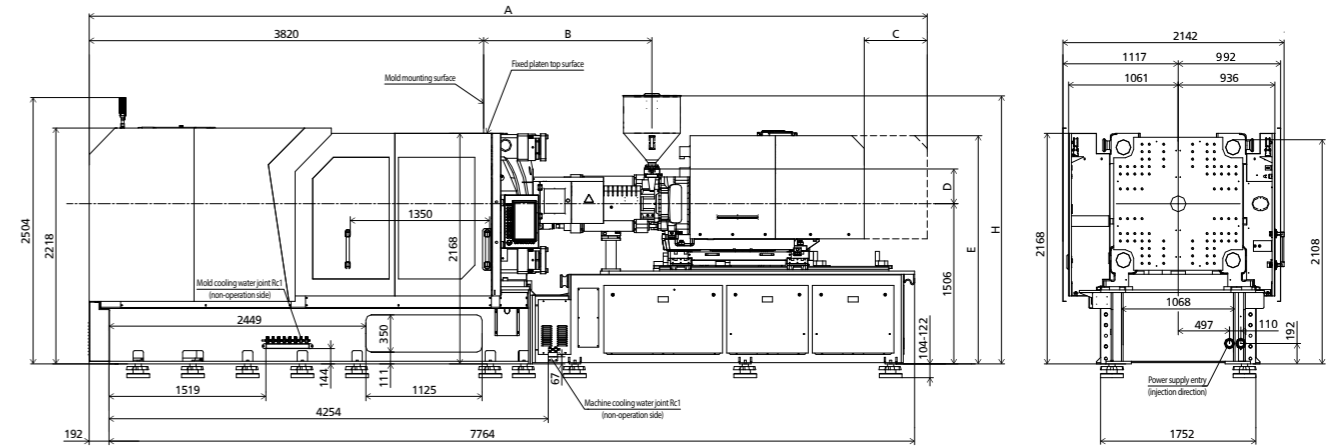
# TECHNICAL DATA ZE4500 V

CLAMPING UNIT													
Clamping force	kN	4500											
Mold opening stroke	mm	800											
Mold height min.	mm	350											
Mold height max.	mm	810											
Total daylight max.	mm	1610											
Dist. Between tie-bars (H×V)	mm	910×910											
Size of mold platen (H×V)	mm	1250×1250											
Mold dimension min.	mm	590×590											
Ejector stroke	mm	180											
Ejector force	kN	98											
		A	B	C	A	B	C	A	B	C	A	B	C
Screw diameter	mm	55	60	65	60	65	70	65	70	80	75	80	90
Screw L/D ratio	L/D	21.8	20	18.5	21.6	20	18.6	21.5	20	17.5	21.3	20	17.8
Injection volume (theoretical) <sup>1</sup>	cm <sup>3</sup>	617	735	862	791	929	1077	1068	1239	1618	1634	1859	2353
Injection weight (PS) <sup>2</sup>	g	562	668	785	720	845	980	972	1127	1472	1487	1692	2141
Injection pressure <sup>3</sup>	MPa	214	180	153	210	180	155	210	180	138	205	180	142
	bar	2140	1800	1530	2100	1800	1550	2100	1800	1380	2050	1800	1420
Holding pressure <sup>3</sup>	MPa	190	160	136	187	160	138	190	162	124	185	162	128
	bar	1900	1600	1360	1870	1600	1380	1900	1620	1240	1850	1620	1280
Screw speed	rpm	300			260			240			220		
Plasticizing rate (GPPS) <sup>4</sup>	g/s	54	64	71	57	68	72	62	71	88	70	92	105
Plasticizing rate (HDPE) <sup>5</sup>	g/s	-	-	-	-	-	-	93	111	132	105	141	165
Nozzle contact force	kN	85			85			85			85		
<b>INJECTION UNIT</b>		<b>1400</b>			<b>1700</b>			<b>2250</b>			<b>3350</b>		
Injection speed	mm/s	160			160			160			160		
Injection rate (PS)	g/s	332	395	463	395	463	537	463	537	702	617	702	889
<b>INJECTION UNIT</b>		<b>1400h</b>			<b>1700h</b>			<b>2250h</b>			<b>-</b>		
Injection speed	mm/s	250			250			250			-		
Injection rate (PS)	g/s	518	617	724	617	724	840	723	839	1097	-	-	-
<b>INJECTION UNIT</b>		<b>1400hs</b>			<b>1700hs</b>			<b>-</b>			<b>-</b>		
Injection speed	mm/s	350			350			-			-		
Injection rate (PS)	g/s	726	864	1014	864	1014	1176	-	-	-	-	-	-
Connection power	kW/A	1400:52/87			1700:58/98			2250:65/109			83/138		
		1400h:65/109			1700h:74/125			2250h:89/150					
Heating power	kW	29.3			33.1			36.1			42.6		
		1400hs:69/115			1700hs:83/139								
Machine dimension	m	8.00×2.15×2.51			8.22×2.15×2.51			8.00×2.15×2.51			8.22×2.15×2.51		
Machine weight	t	22.30			23.00			24.58			24.67		
Hopper capacity	l	50			50			50			100		
Pressure	MPa	17.5			17.5			17.5			17.5		
Flow	l/min	141			141			141			141		
Oil tank	l	193			193			193			193		

NOTE: <sup>1</sup> Shot volume is the theoretical value which equals to cross section area of screw cylinder or barrel plunger × screw stroke.  
<sup>2</sup> Shot weight (PS) is the theoretical value of shot volume melt density of PS. It is not a measured value.  
<sup>3</sup> Injection & holding pressure are theoretical values of machine output, not the actual resin pressure.  
<sup>4</sup> Plasticizing capacity(GPPS):GB standard,with application of GPPS plasticizing capacity of 3-zone screws.  
<sup>5</sup> Plasticizing capacity(HDPE):Euromap 19,with application of HDPE plasticizing capacity of barrier screws.

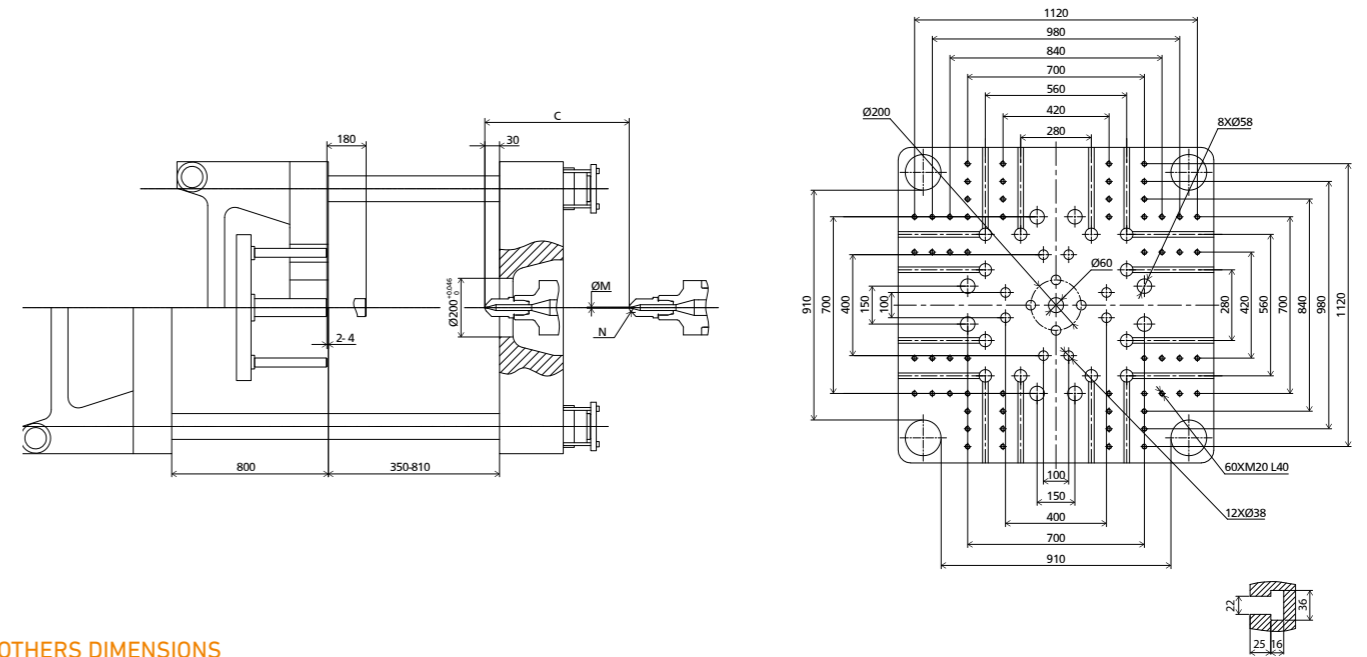
This parameter table is based on machine standard configuration;  
 We reserve the right to make changes as a result of further technical advances.

## MACHINE DIMENSIONS

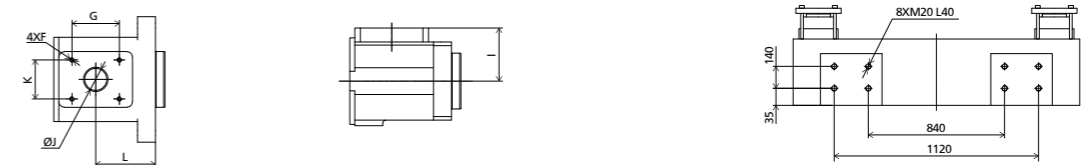


	A	B	C	D	E	F	G	H	I	J	K	L	M	N
1400,1400h,1400hs	7733	1383	520	245	2217	4XM10 L20	115	2354	143	82	115	204	Ø3	SR10
1700,1700h,1700hs	8216	1543	560	250	2309	4XM10 L20	115	2359	148	95	115	222.5	Ø3	SR10
2250,2250h,2250hs	7950	1630	610	327	2157	4XM10 L20	115	2520	225	95	115	67	Ø4	SR15
3350	8219	1841	610	346	2157	4XM12 L25	170	2846	225	100	170	128	Ø4	SR15

## PLATEN DIMENSIONS



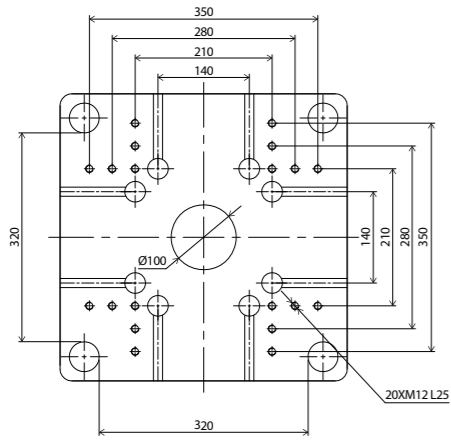
## OTHERS DIMENSIONS



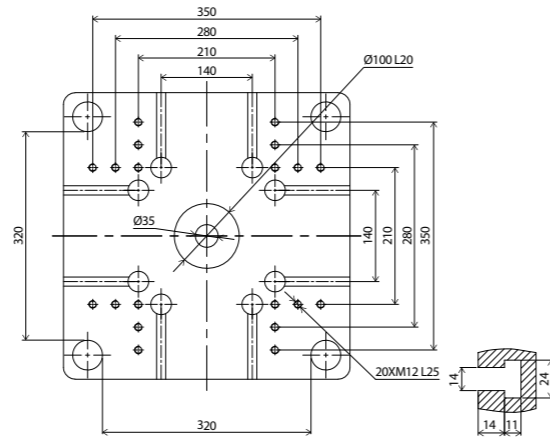
HOPPER MOUNTING DIMENSION

ROBOT TOP VIEW FIXED PLATEN

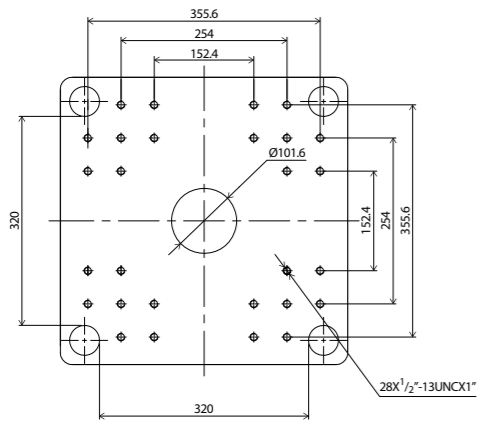
EUROPEAN VERSION  
FIXED PLATEN



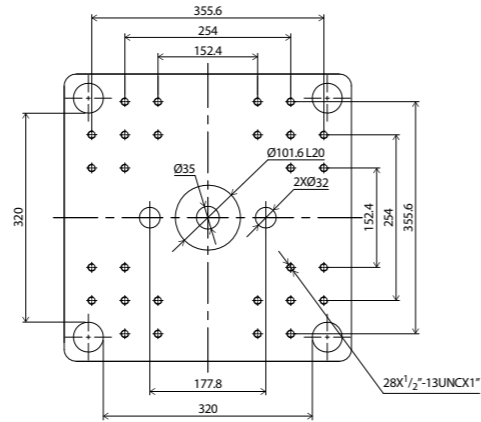
MOVABLE PLATEN



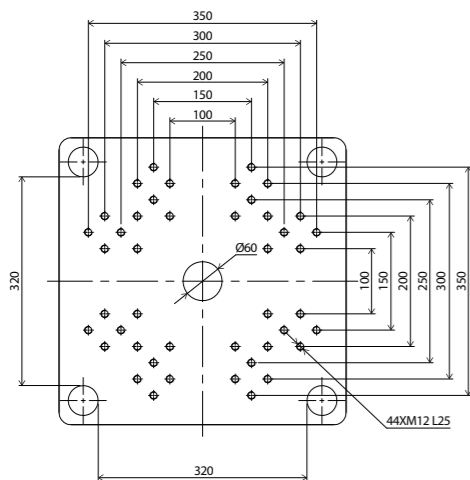
AMERICAN VERSION  
FIXED PLATEN



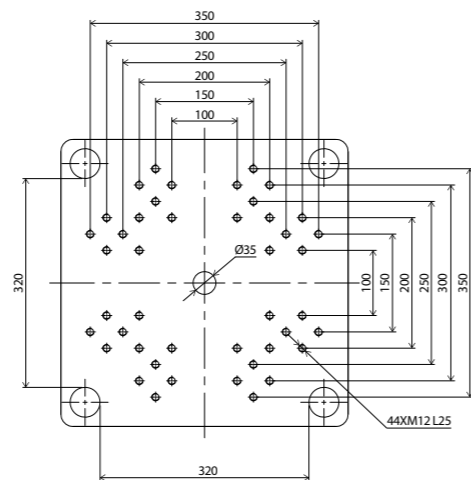
MOVABLE PLATEN



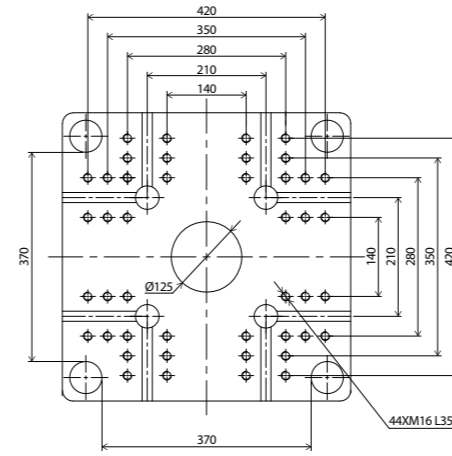
JAPANESE VERSION  
FIXED PLATEN



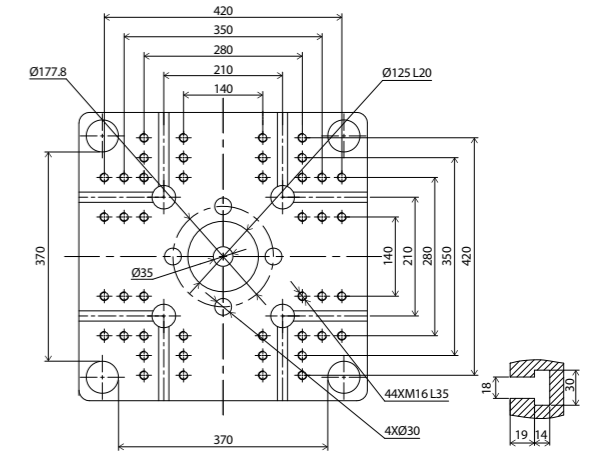
MOVABLE PLATEN



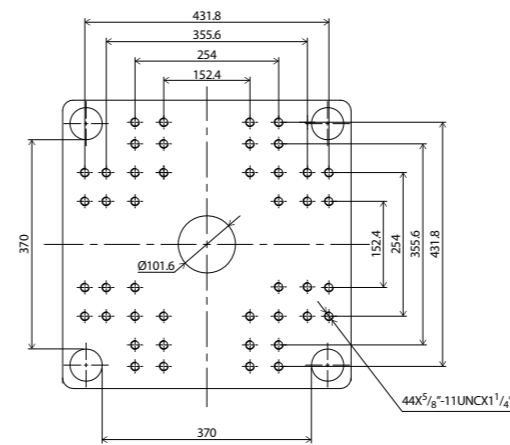
EUROPEAN VERSION  
FIXED PLATEN



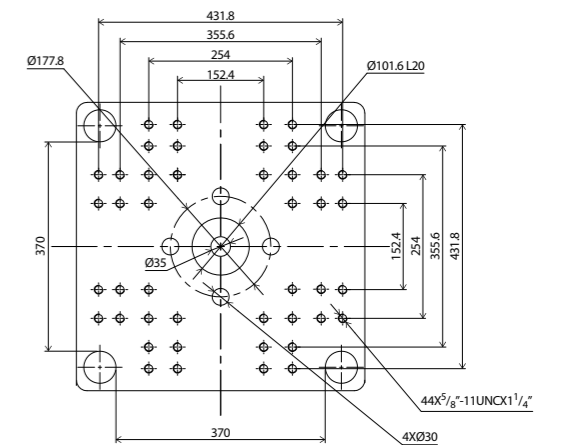
MOVABLE PLATEN



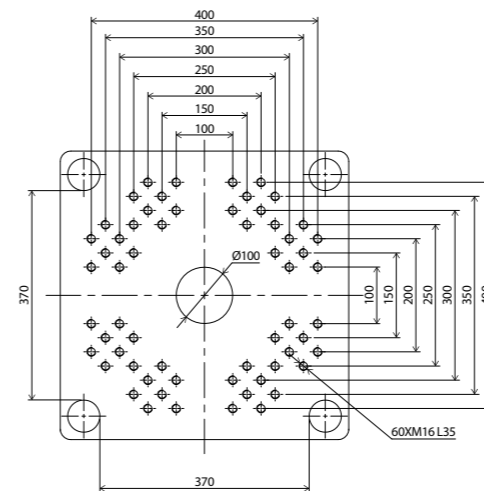
AMERICAN VERSION  
FIXED PLATEN



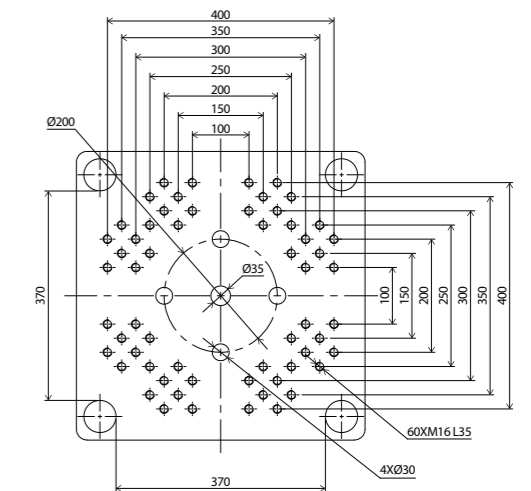
MOVABLE PLATEN



JAPANESE VERSION  
FIXED PLATEN

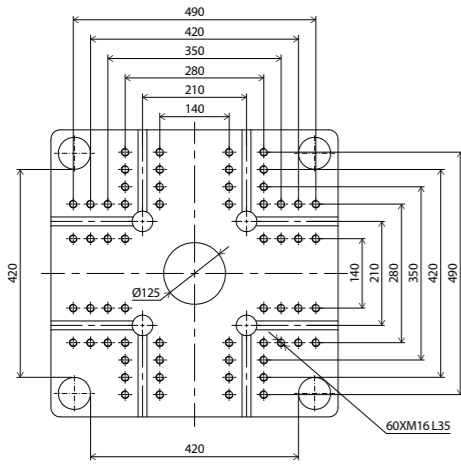


MOVABLE PLATEN

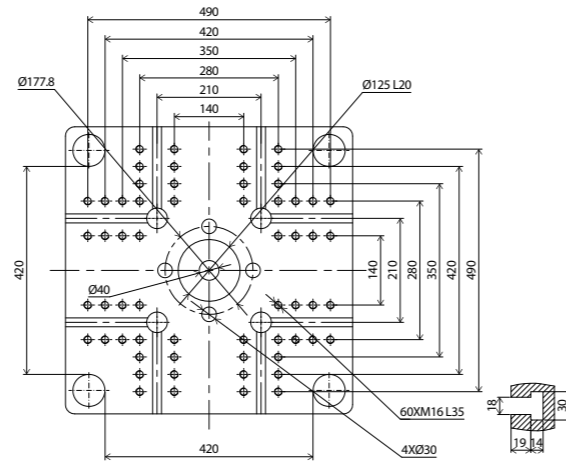


We reserve the right to make changes as a result of further technical advances.

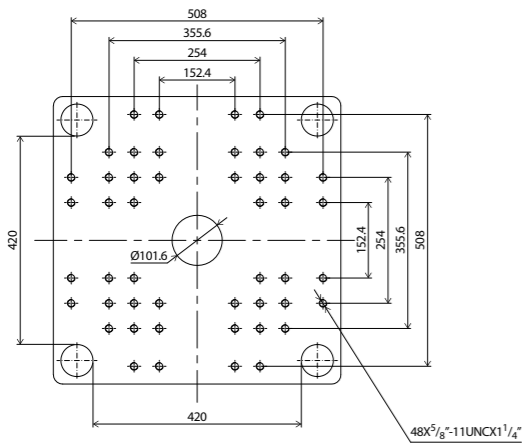
EUROPEAN VERSION  
FIXED PLATEN



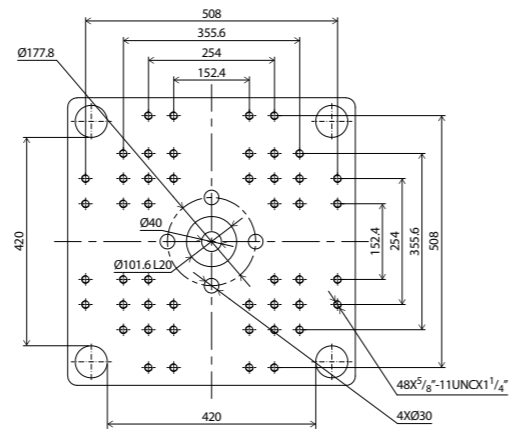
MOVABLE PLATEN



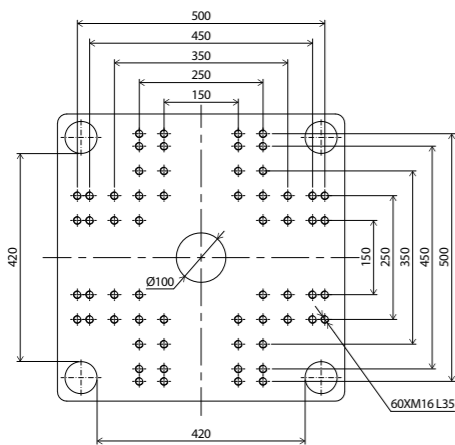
AMERICAN VERSION  
FIXED PLATEN



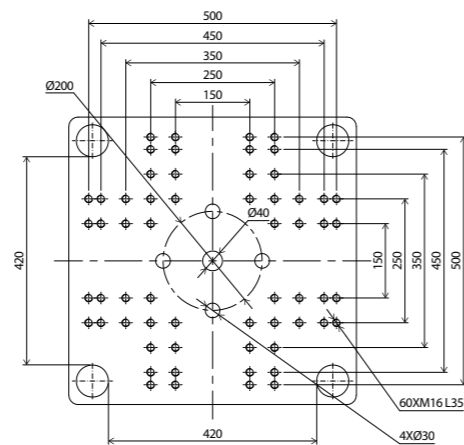
MOVABLE PLATEN



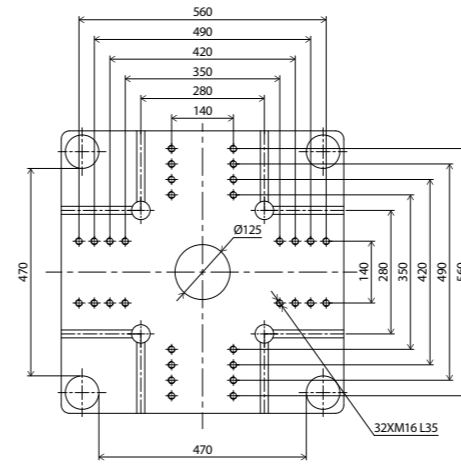
JAPANESE VERSION  
FIXED PLATEN



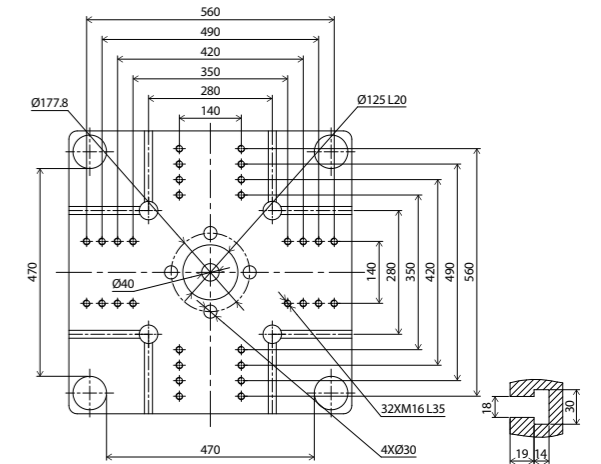
MOVABLE PLATEN



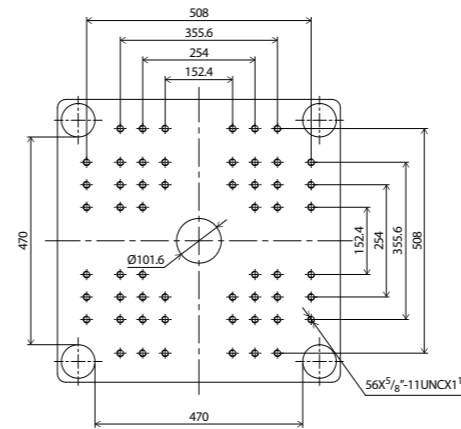
EUROPEAN VERSION  
FIXED PLATEN



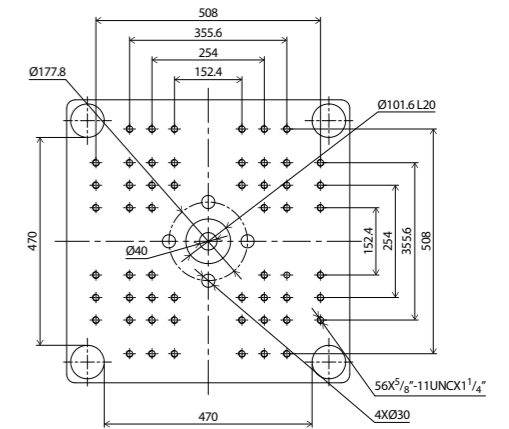
MOVABLE PLATEN



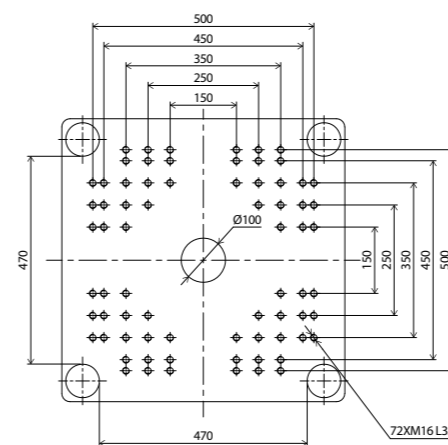
AMERICAN VERSION  
FIXED PLATEN



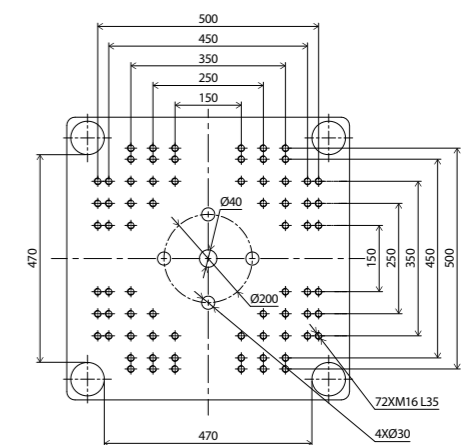
MOVABLE PLATEN



JAPANESE VERSION  
FIXED PLATEN

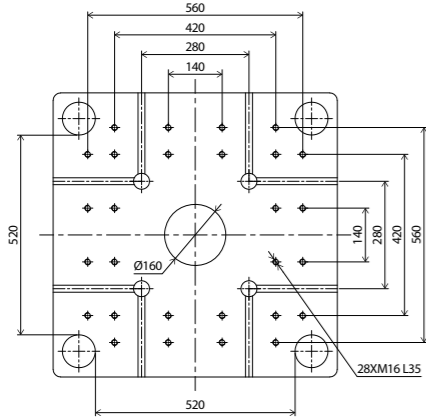


MOVABLE PLATEN

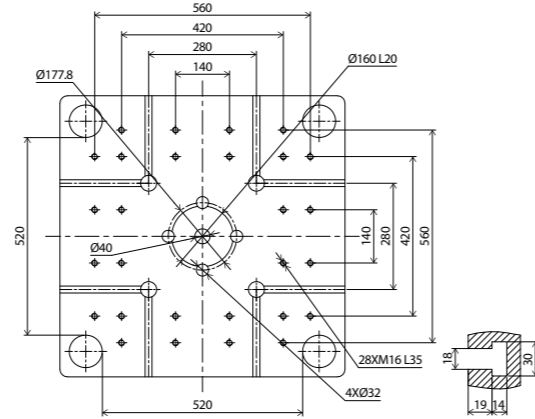


We reserve the right to make changes as a result of further technical advances.

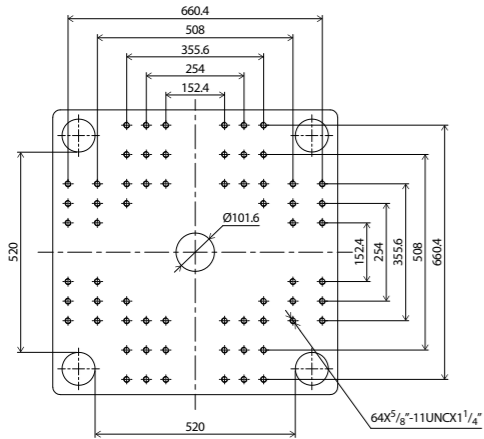
EUROPEAN VERSION  
FIXED PLATEN



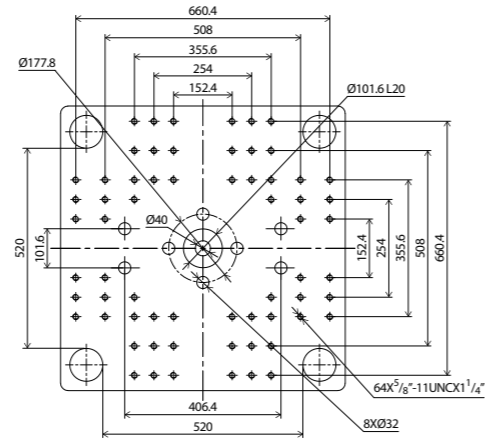
MOVABLE PLATEN



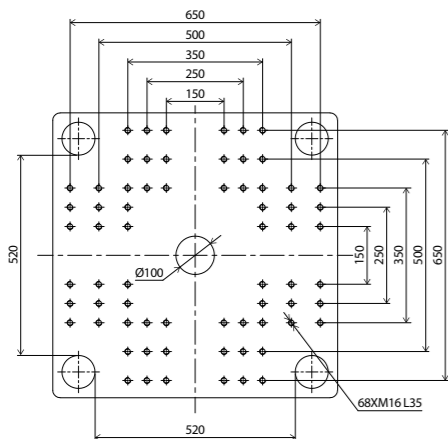
AMERICAN VERSION  
FIXED PLATEN



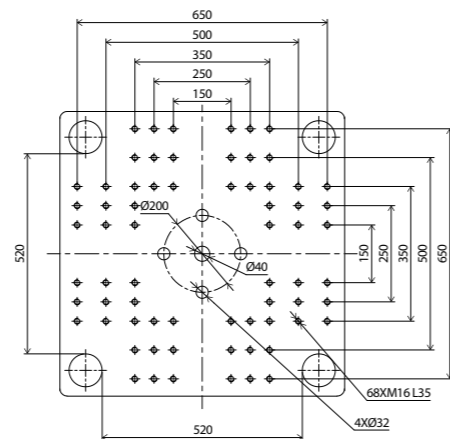
MOVABLE PLATEN



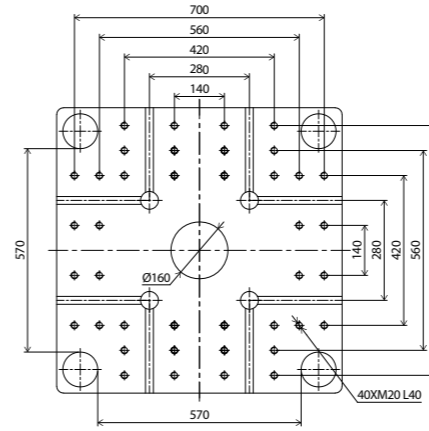
JAPANESE VERSION  
FIXED PLATEN



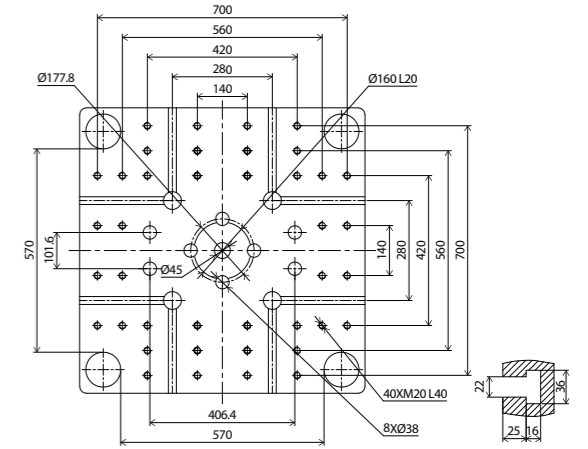
MOVABLE PLATEN



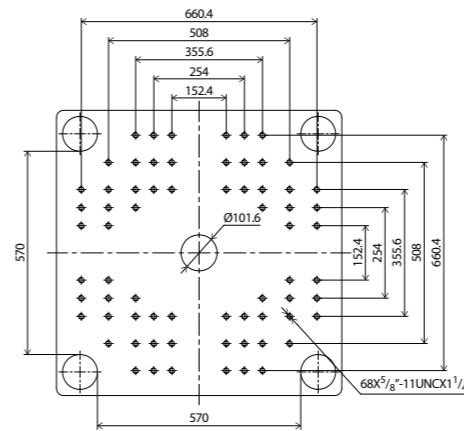
EUROPEAN VERSION  
FIXED PLATEN



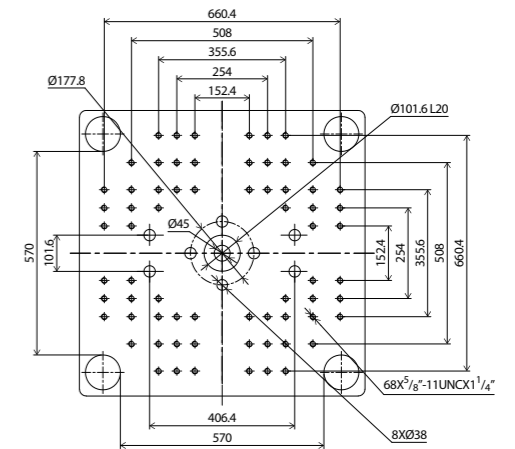
MOVABLE PLATEN



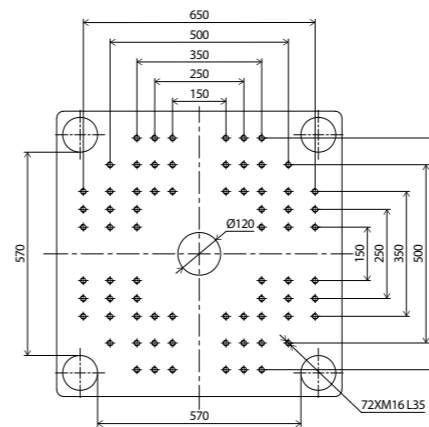
AMERICAN VERSION  
FIXED PLATEN



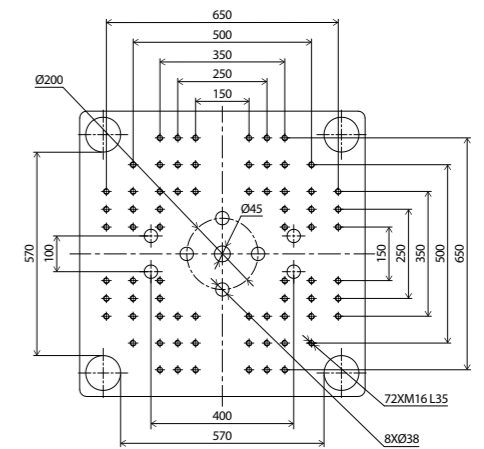
MOVABLE PLATEN



JAPANESE VERSION  
FIXED PLATEN



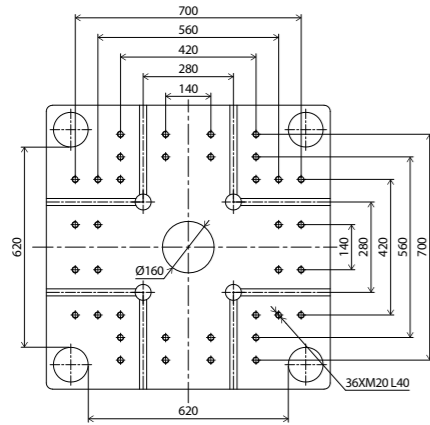
MOVABLE PLATEN



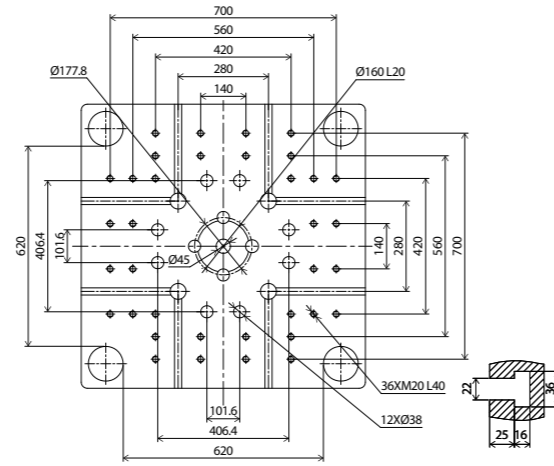
We reserve the right to make changes as a result of further technical advances.



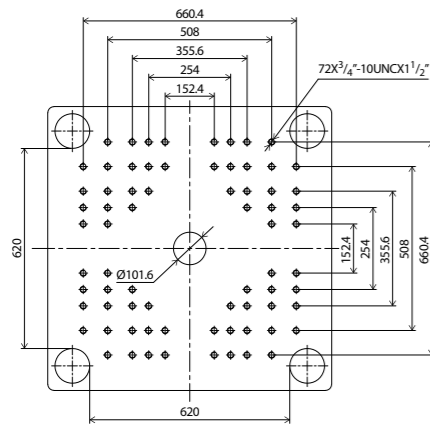
EUROPEAN VERSION  
FIXED PLATEN



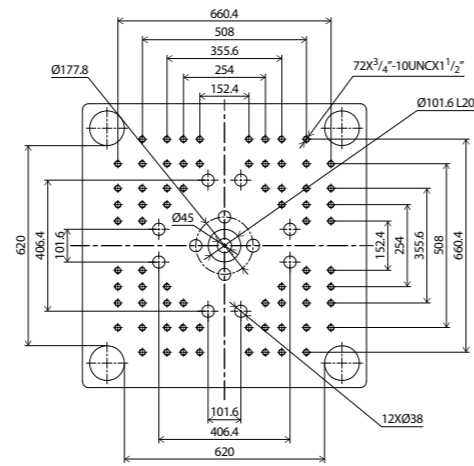
MOVABLE PLATEN



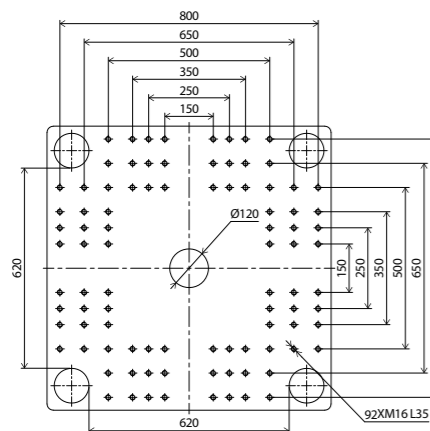
AMERICAN VERSION  
FIXED PLATEN



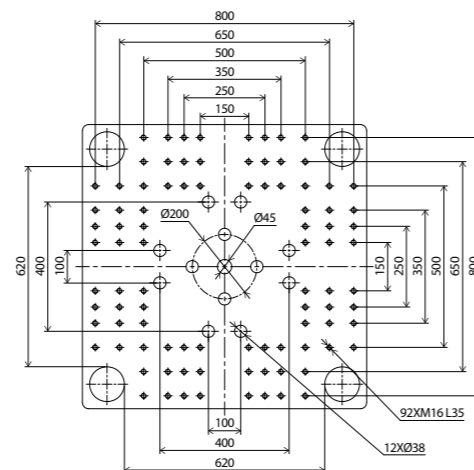
MOVABLE PLATEN



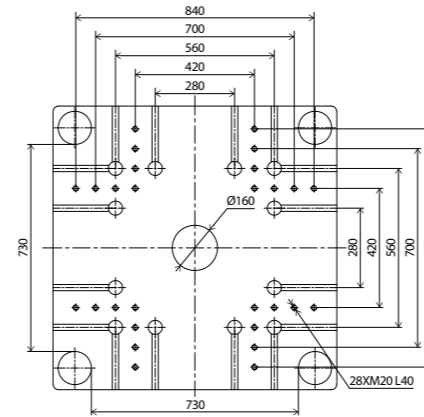
JAPANESE VERSION  
FIXED PLATEN



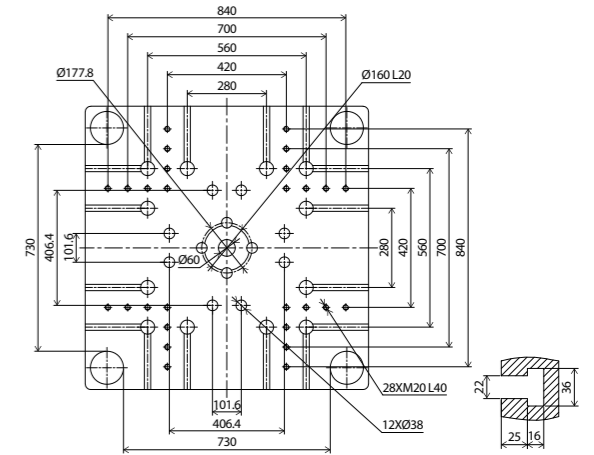
MOVABLE PLATEN



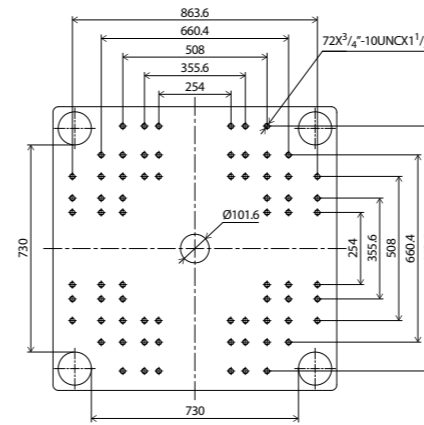
EUROPEAN VERSION  
FIXED PLATEN



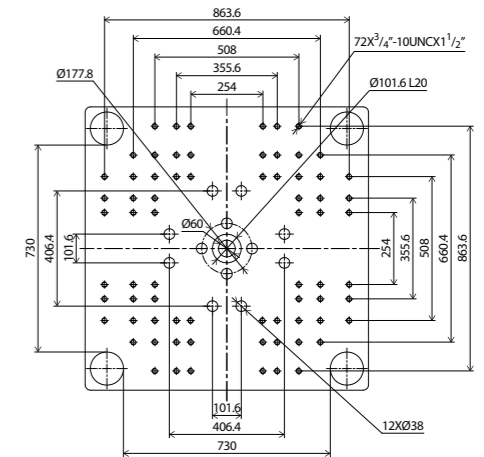
MOVABLE PLATEN



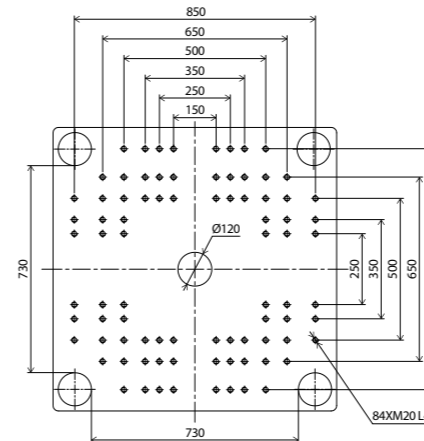
AMERICAN VERSION  
FIXED PLATEN



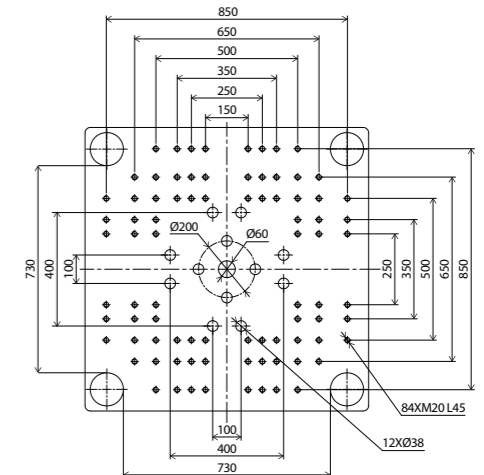
MOVABLE PLATEN



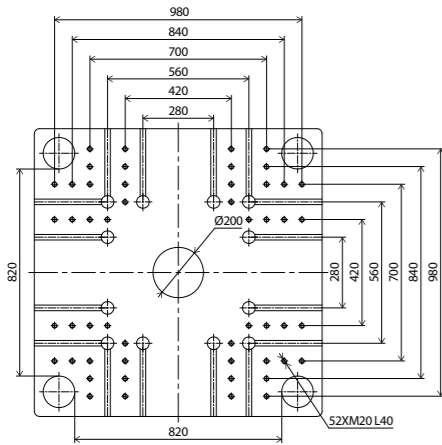
JAPANESE VERSION  
FIXED PLATEN



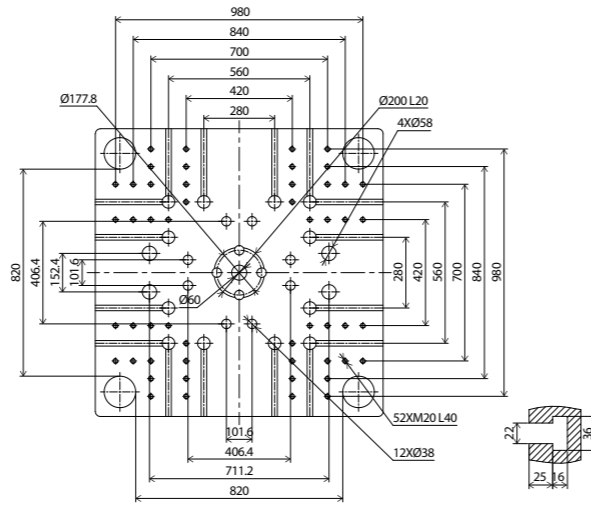
MOVABLE PLATEN



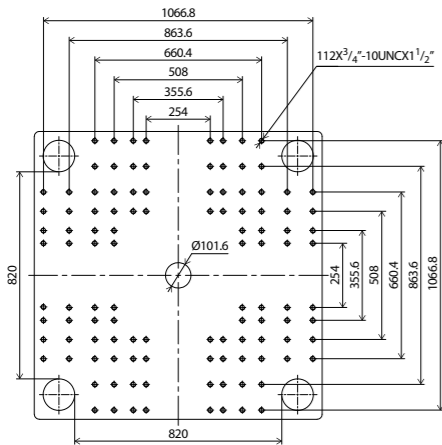
EUROPEAN VERSION  
FIXED PLATEN



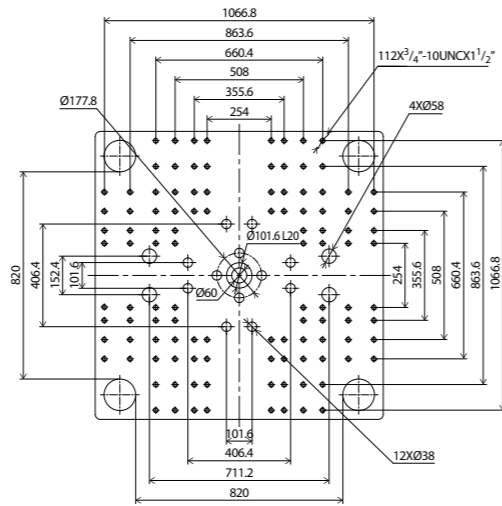
MOVABLE PLATEN



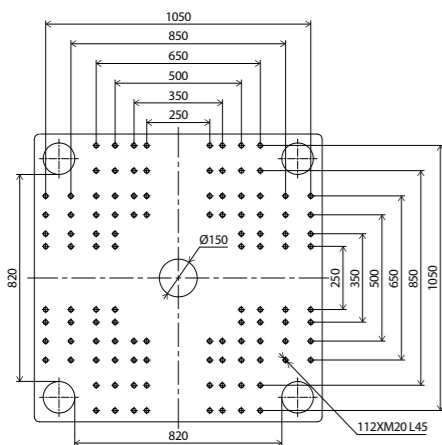
AMERICAN VERSION  
FIXED PLATEN



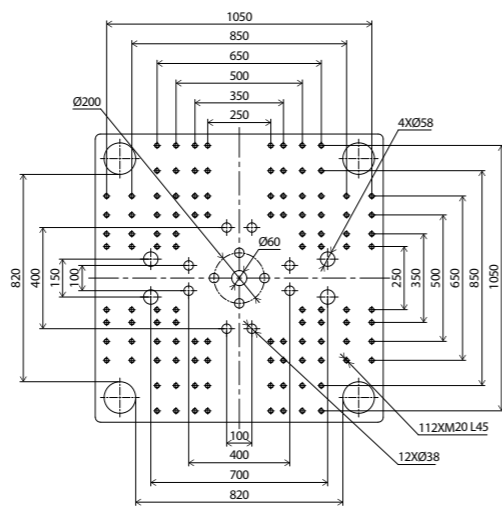
MOVABLE PLATEN



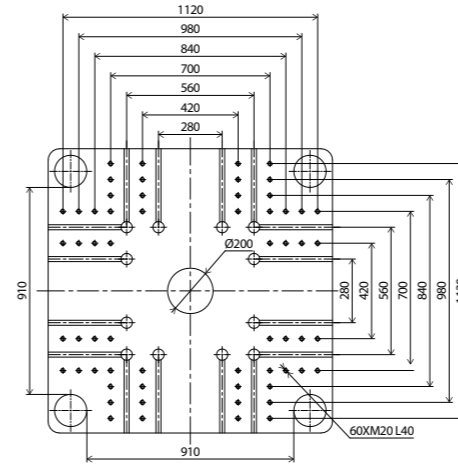
JAPANESE VERSION  
FIXED PLATEN



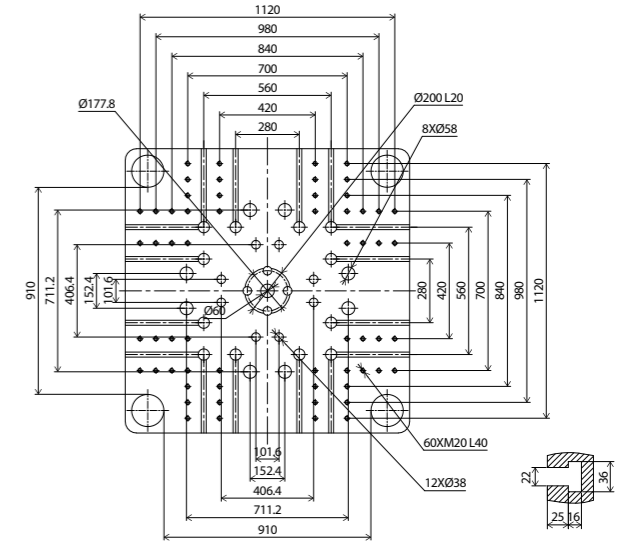
MOVABLE PLATEN



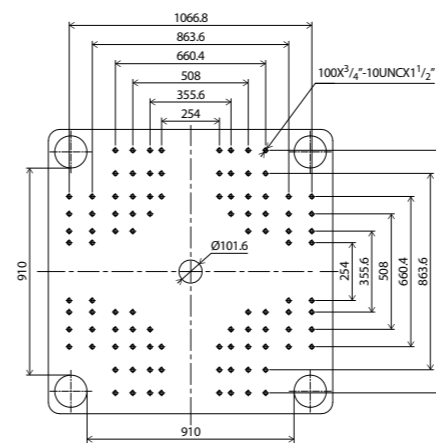
EUROPEAN VERSION  
FIXED PLATEN



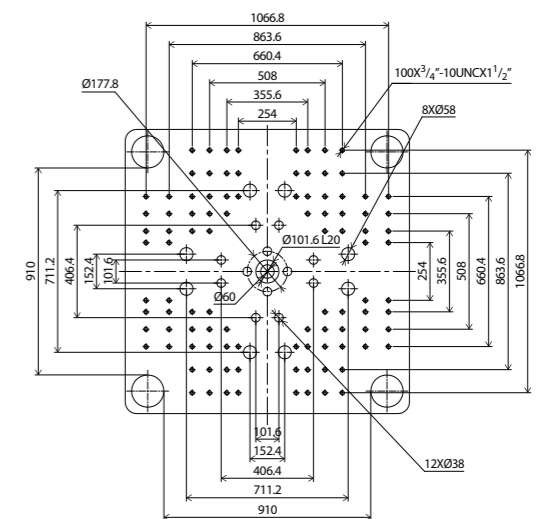
MOVABLE PLATEN



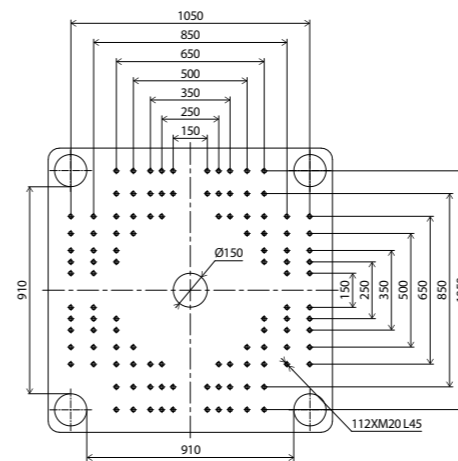
AMERICAN VERSION  
FIXED PLATEN



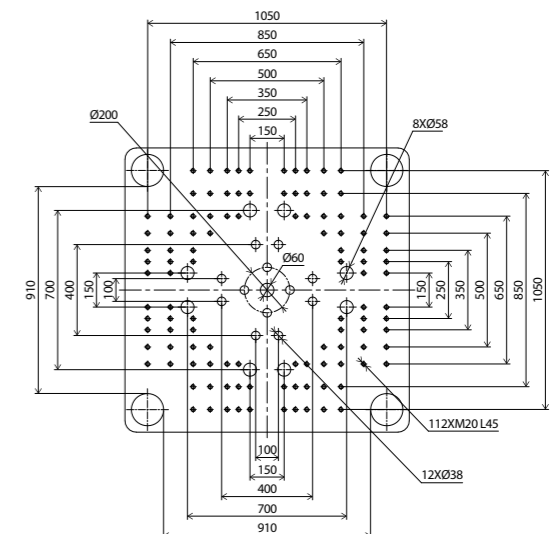
MOVABLE PLATEN



JAPANESE VERSION  
FIXED PLATEN



MOVABLE PLATEN



We reserve the right to make changes as a result of further technical advances.





# STANDARD EQUIPMENT LIST

## GENERAL EQUIPMENT

- » Basic safety device according to GB/22530
- » ZHAFIR colors: RAL9010, RAL5003
- » Power supply: 380VAC, 3PH+N+PE
- » Sigmatek controller, 15.1 inch touch screen
- » Injection, dosing, platen movement driven independently by servo motor, optical encoder position detection
- » LUBE central lubrication

## INJECTION UNIT

- » Abrasion-resistant screw set, general version
- » Open nozzle
- » Barrel heating temperature PID control, SSR
- » Extended nozzle, temperature PID control independently
- » Feeding zone temperature closed-loop control
- » Injection speed 6 steps
- » Speed responding mode adjustable
- » Holding pressure 4 steps
- » Pressure responding mode adjustable
- » V/P switch over methods by position/ time/ pressure combinations
- » Dosing rotation speed 3 steps
- » Back pressure 3 steps
- » HPM over-filling protection function
- » Screw retraction before and/or after dosing
- » Auto purge

## CLAMPING UNIT

- » 5-point twin toggle mechanism
- » Center pressing platen
- » Clamping force settable at control panel
- » Automatic mold-height adjustment
- » Platen moving speed 6 steps
- » AI mold protection
- » Clamping force pre-release
- » Ejector speed 3 steps
- » Ejector pressure 3 steps
- » Multi ejection function
- » Ejection parallel to mold opening

## FUNCTIONS & CONTROLS

- » Multi-language available (Chinese, German, English, Japanese etc.)
- » Metric/Imperial unit selectable
- » Dosing parallel to mold opening
- » Injection compression
- » Production assistant device function
- » Maintenance alert
- » 5000 cycles process data recording
- » Amendment report
- » Alarm record
- » Quality control function
- » Mold profile data memory (up to 200 sets)
- » 2 USB interface
- » USB printer interface
- » Injection speed & pressure curve
- » 1 free programmable I/O
- » Mold ejector protection interface
- » EUROMAP 12 interface for handling device
- » Auxiliary socket 3PH/380V 32A×1, 16A×2
- » 3 color alarm lamp (red/yellow/green)

## OTHERS

- » Tool kit & spare parts package
- » Leveling pads
- » Documents with machine
- » Operating manual

## NOTE

1
2
3
4
5
6
7
8
9
10
1
2
3
4
5
6
7
8
9
10
1
2
3
4
5
6
7
8
9
10
1
2
3
4
5
6
7
8
9
10

We reserve the right to make changes as a result of further technical advances.



A series of ten sets of ten horizontal lines, each set starting with a number from 1 to 10 in a grey column on the left. The lines are spaced evenly and extend across the page.